



**Lifting force tables 803**

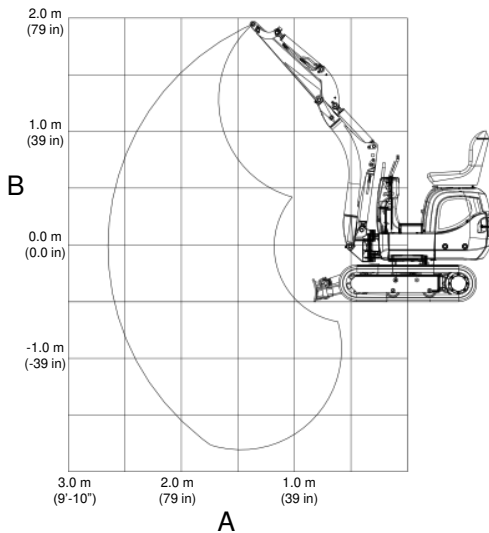


Fig. 1: Lifting force table 803

All table values are specified in kg (lbs.), in a horizontal position on firm even ground as well as without a bucket or an attachment. Base of calculation: according to ISO 10567.

Set pressure at the lifting arm cylinder: 17,000 kPa (2,466 psi)

The lifting force of the vehicle is limited by the hydraulic output or by the tilting safety mechanism.

Neither 75% of the static tipping load nor 87% of the hydraulic lifting force are exceeded.

The lifting capability applies under the following conditions:

- Lubricants and operating materials at the prescribed levels.
- Full fuel tank.
- Vehicle at operating temperature.
- Weight of the operator: 75 kg (165 lbs.).

A	Outreach from center of rotating ring
B	Height

B \ A			2.5 m (98 in)	2.0 m (79 in)	1.5 m (59 in)	1.0 m (39 in)
	A max (m/ft.)	kg/ls				
2.4 m (94 in)	1.41 (4.61)	216 (477)	--	--	--	--
2.0 m (79 in)	2.03 (6.64)	205 (453)	--	203 (448)	--	--
1.5 m (59 in)	2.40 (7.86)	163 (358)	--	189 (416)	--	--
1.0 m (39 in)	2.59 (8.49)	142 (314)	151 (332)	212 (469)	247 (544)	--
0.5 m (20 in)	2.65 (8.7)	135 (298)	147 (325)	204 (450)	311 (685)	--
0.0 m (0.0 in)	2.60 (8.52)	137 (303)	145 (319)	197 (434)	296 (653)	570 (1,257)
-0.5 m (-20 in)	2.41 (7.91)	146 (323)	--	194 (428)	292 (644)	561 (1,236)
-1.0 m (-39 in)	2.05 (6.73)	138 (304)	--	149 (328)	243 (536)	418 (922)


Tab. 1: Lifting force tables 803 - Longitudinal direction, dozer blade front - up

B \ A			2.5 m (98 in)	2.0 m (79 in)	1.5 m (59 in)	1.0 m (39 in)
	A max (m/ft.)	kg/ls				
2.4 m (94 in)	1.41 (4.61)	216 (477)	--	--	--	--
2.0 m (79 in)	2.03 (6.64)	205 (453)	--	203 (448)	--	--
1.5 m (59 in)	2.40 (7.86)	191 (420)	--	189 (416)	--	--
1.0 m (39 in)	2.59 (8.49)	177 (391)	185 (407)	217 (478)	247 (544)	--
0.5 m (20 in)	2.65 (8.70)	166 (365)	184 (407)	247 (544)	366 (807)	--
0.0 m (0.0 in)	2.60 (8.52)	155 (343)	171 (377)	247 (544)	379 (835)	678 (1,495)
-0.5 m (-20 in)	2.41 (7.91)	146 (323)	--	215 (475)	325 (718)	561 (1,236)
-1.0 m (-39 in)	2.05 (6.73)	138 (304)	--	149 (328)	243 (536)	418 (922)


Tab. 2: Lifting force tables 803 - Longitudinal direction, dozer blade front - down




**Lifting force tables 803**

B \ A			2.5 m (98 in)	2.0 m (79 in)	1.5 m (59 in)	1.0 m (39 in)
	A max (m/ft.)	kg/lbs.				
2.4 m (94 in)	1.41 (4.61)	216 (477)	--	--	--	--
2.0 m (79 in)	2.03 (6.64)	205 (453)	--	203 (448)	--	--
1.5 m (59 in)	2.40 (7.86)	175 (386)	--	189 (416)	--	--
1.0 m (39 in)	2.59 (8.49)	154 (339)	162 (358)	217 (478)	247 (544)	--
0.5 m (20 in)	2.65 (8.70)	146 (322)	159 (351)	220 (484)	335 (738)	--
0.0 m (0.0 in)	2.60 (8.52)	148 (327)	156 (344)	213 (469)	320 (705)	618 (1,363)
- (-20 in)	2.41 (7.91)	146 (323)	--	210 (462)	316 (696)	561 (1,236)
-1.0 m (-39 in)	2.05 (6.73)	138 (304)	--	149 (328)	243 (536)	418 (922)

Tab. 3: Lifting force tables 803 - Longitudinal direction, dozer blade at rear

B \ A			2.5 m (98 in)	2.0 m (79 in)	1.5 m (59 in)	1.0 m (39 in)
	A max (m/ft.)	kg/lbs.				
2.4 m (94 in)	1.41 (4.61)	216 (477)	--	--	--	--
2.0 m (79 in)	2.03 (6.64)	120 (265)	--	123 (272)	--	--
1.5 m (59 in)	2.40 (7.86)	89 (197)	--	124 (274)	--	--
1.0 m (39 in)	2.59 (8.49)	76 (168)	82 (180)	119 (262)	188 (414)	--
0.5 m (20 in)	2.65 (8.70)	71 (157)	79 (173)	111 (245)	168 (371)	--
0.0 m (0.0 in)	2.60 (8.52)	72 (158)	76 (167)	104 (230)	155 (341)	279 (616)
- (-20 in)	2.41 (7.91)	79 (175)	--	101 (224)	151 (333)	281 (620)
-1.0 m (-39 in)	2.05 (6.73)	101 (223)	--	104 (229)	154 (339)	289 (636)

Tab. 4: Lifting force tables 803 - Transverse direction, travel gear retracted

B \ A			2.5 m (98 in)	2.0 m (79 in)	1.5 m (59 in)	1.0 m (39 in)
	A max (m/ft.)	kg/lbs.				
2.4 m (94 in)	1.41 (4.61)	216 (477)	--	--	--	--
2.0 m (79 in)	2.03 (6.64)	167 (367)	--	170 (376)	--	--
1.5 m (59 in)	2.40 (7.86)	126 (277)	--	172 (378)	--	--
1.0 m (39 in)	2.59 (8.49)	109 (240)	116 (255)	166 (366)	247 (544)	--
0.5 m (20 in)	2.65 (8.70)	103 (227)	113 (248)	158 (347)	241 (531)	--
0.0 m (0.0 in)	2.60 (8.52)	104 (230)	110 (242)	150 (332)	226 (499)	431 (951)
- (-20 in)	2.41 (7.91)	115 (253)	--	148 (325)	222 (490)	433 (955)
-1.0 m (-39 in)	2.05 (6.73)	138 (304)	--	149 (328)	225 (497)	418 (922)

Tab. 5: Lifting force tables 803 - Transverse direction, travel gear extended