



Operator's Manual

GS-1530

GS-1930

GS-2032

GS-2632

GS-3232

GS-2046

GS-2646

GS-3246

ANSI/CSA
North America
South America
Asia

with
Maintenance
Information

Fifth Edition
Fourth Printing
Part No. 114312

Important

Read, understand and obey these safety rules and operating instructions before operating this machine. Only trained and authorized personnel shall be permitted to operate this machine. This manual should be considered a permanent part of your machine and should remain with the machine at all times. If you have any questions, call Genie Industries.

Contents

	Page
Introduction	1
Symbol and Hazard Pictorials Definitions	3
General Safety	5
Personal Safety	10
Work Area Safety	11
Legend	18
Controls	21
Inspections	25
Operating Instructions	46
Transport and Lifting Instructions	53
Maintenance	57
Specifications	59

Contact us:


Internet: www.genielift.com
 e-mail: techpub@genieind.com

Copyright © 1997 by Genie Industries

Fifth Edition: Fourth Printing, November 2009

"Genie" is a registered trademark of Genie Industries in the U.S.A. and many other countries. "GS" is a trademark of Genie Industries.

These machines comply with:
 ANSI/SIA 92.6
 CAN/CSA B354.2

 Printed on recycled paper

Printed in U.S.A.



Introduction

Owners, Users and Operators:

Genie appreciates your choice of our machine for your application. Our number one priority is user safety, which is best achieved by our joint efforts. We feel that you make a major contribution to safety if you, as the equipment users and operators:

- 1 **Comply** with employer, job site and governmental rules.
- 2 **Read, understand and follow** the instructions in this and other manuals supplied with this machine.
- 3 **Use good safe work practices** in a common sense way.
- 4 **Only have trained/certified operators**, directed by informed and knowledgeable supervision, running the machine.

If there is anything in this manual that is not clear or which you believe should be added, please contact us.

Internet: www.genielift.com

E-mail: techpub@genieind.com



Danger

Failure to obey the instructions and safety rules in this manual will result in death or serious injury.

Do Not Operate Unless:

- You learn and practice the principles of safe machine operation contained in this operator's manual.
 - 1 **Avoid hazardous situations.**

Know and understand the safety rules before going on to the next section.

 - 2 Always perform a pre-operation inspection.
 - 3 Always perform function tests prior to use.
 - 4 Inspect the workplace.
 - 5 Only use the machine as it was intended.
- You read, understand and obey the manufacturer's instructions and safety rules—safety and operator's manuals and machine decals.
- You read, understand and obey employer's safety rules and worksite regulations.
- You read, understand and obey all applicable governmental regulations.
- You are properly trained to safely operate the machine.

Introduction

Hazard Classification

Genie uses symbols, color coding and signal words to identify the following:



Safety alert symbol—used to alert you to potential personal injury hazards. Obey all safety messages that follow this symbol to avoid possible injury or death.

▲ DANGER

Red

Indicates a hazardous situation which, if not avoided, will result in death or serious injury.

▲ WARNING

Orange

Indicates a hazardous situation which, if not avoided, could result in death or serious injury.

▲ CAUTION

Yellow

Indicates a hazardous situation which, if not avoided, could result in minor or moderate injury.

NOTICE

Blue

Indicates a hazardous situation which, if not avoided, could result in property damage.



Intended Use

This machine is intended to be used only to lift personnel, along with their tools and materials to an aerial work site.

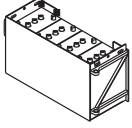


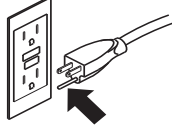


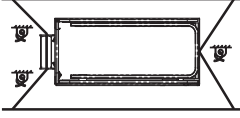



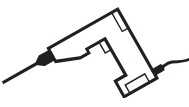
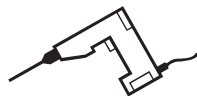
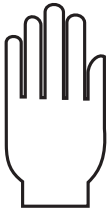

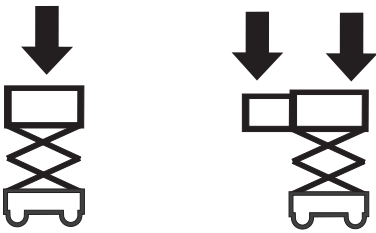
Safety Sign Maintenance

Replace any missing or damaged safety signs. Keep operator safety in mind at all times. Use mild soap and water to clean safety signs. Do not use solvent-based cleaners because they may damage the safety sign material.

Symbol and Hazard Pictorials Definitions

 Read the operator's manual	 Read the service manual	 Crush hazard	 Crush hazard	 Collision hazard
 Tip-over hazard	 Tip-over hazard	 Tip-over hazard	 Tip-over hazard	 Electrocution hazard
 Electrocution hazard	 Explosion hazard	 Fire hazard	 Burn hazard	 Skin injection hazard
 Engage safety arm	 Keep away from moving parts	 Keep clear of outriggers and tires	 Move machine to level ground	 Close chassis tray
 Lower the platform	 Do not set up where it cannot be leveled with outriggers	 Maintain required clearance	 Only trained maintenance personnel should access compartments	 Use a piece of cardboard or paper to search for leaks

Symbol and Hazard Pictorials Definitions

 <p>Batteries used as counterweights</p>	 <p>Chock the wheels</p>	 <p>Release brakes</p>	 <p>Grounded AC 3-wire only</p>	 <p>Replace damaged wires and cords</p>
 <p>Wheel load</p>	 <p>Transport diagram</p>	 <p>Tiedown</p>	 <p>Lanyard attachment point</p>	 <p>No smoking</p>
 <p>Voltage rating for power to platform</p>	 <p>Pressure rating for air line to platform</p>	 <p>Side force</p>	 <p>Wind speed</p>	
 <p>Maximum capacity including occupant</p>				

General Safety

Safety signs and locations Decals with words

114386

⚠ **DANGER**

Failure to read, understand and obey the operator's manual and the following safety rules will result in death or serious injury.


Improper Use Hazard
The operator is responsible for safe machine operation. This includes:

- 1 Avoid hazardous situations.
- 2 Always perform a pre-operation inspection.
- 3 Always perform function tests prior to use.
- 4 Inspect work place.
- 5 Only use the machine as it was intended.

Do not operate unless:
You read, understand and obey:
- manufacturer's instructions and safety rules— safety and operator's manuals and decals
- employer's safety rules
- applicable governmental regulations

You are properly trained to safely operate this machine

Electrocution Hazards



This machine is not electrically insulated and will not provide protection from contact with or proximity to electrical current.

Maintain required clearance.	
Line voltage	Required clearance
300V to 50KV	10 ft 3.05 m
50KV to 200KV	15 ft 4.60 m
200KV to 350KV	20 ft 6.10 m
350KV to 500KV	25 ft 7.62 m
500KV to 750KV	35 ft 10.67 m
750KV to 1000KV	45 ft 13.72 m

Explosion Hazards

Do not start engine if you smell or detect liquid petroleum gas (LPG), gasoline, diesel fuel or other explosive substances.




Do not refuel the machine with the engine running.

Tip-over Hazards

Do not exceed rated load capacity.

Do not raise platform unless machine is on a firm surface. Avoid drop-offs, holes and unstable or slippery surfaces.

Do not drive machine on a slope that exceeds the maximum slope or side slope rating for the machine.

Models without outriggers:
Do not raise platform unless machine is on a level surface.

Models with outriggers:
Do not raise platform unless machine is level.

Do not raise platform when wind speeds may exceed 28 mph / 12.5 m/s. Do not operate machine in strong or gusty winds. Do not increase surface area of platform or load. Increasing area exposed to wind will decrease machine stability.

Do not drive the machine on or near uneven terrain, unstable surfaces or other hazardous conditions with the platform raised.

Do not push off or pull toward any object outside of the platform.

Do not place or attach overhanging loads to any part of this machine.

Use extreme care and slow speeds while driving the machine in stowed position across uneven terrain, debris, unstable or slippery surfaces and near holes and drop-offs.

Do not alter or disable machine components that in any way affect safety and stability.

Do not place ladders or scaffolds in platform or against any part of this machine.


Do not use machine on a moving or mobile surface or vehicle.

Be sure all tires are in good condition, castle nuts are properly tightened and cotter pins are properly installed.

Fall Hazards

Do not sit, stand or climb on the platform guard rails. Maintain a firm footing on the platform floor at all times.

Do not climb down from the platform when raised.



Attach platform entry chain and close entry gate before operating.


Crushing Hazards

Keep hands and limbs out of scissors.

Use common sense and planning when operating machine with controller from ground. Maintain safe distances between operator, machine and fixed objects.

Collision Hazards

Be aware of limited sight distance and blind spots when driving or operating.



Check work area for overhead obstructions or other possible hazards.

Be aware of crushing hazard when grasping platform guard rail.

Observe and use color-coded direction arrows on the platform controls for drive and steer functions.

Damaged Machine Hazards

Do not use a damaged or malfunctioning machine.


Be sure all maintenance has been performed as specified in the appropriate operator's and service manuals

Be sure all decals are in place and legible.

Be sure safety, operator's and responsibilities manuals are complete, legible and in the storage container located on the platform.

44736

⚠ **DANGER**




Tip-over Hazard
If tilt-alarm sounds, unit is on a severe slope. Death or serious injury could occur.


- 1 Lower the platform.
- 2 Move the machine to level surface.

114359
(GS-3232 only)

⚠ **DANGER**

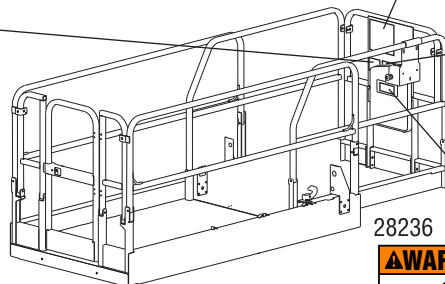


Do not set machine up where it cannot be leveled using the outriggers.




Tip-over Hazards
Improper use of outriggers will result in death or injury.

Read the manual for safe operation of outrigger function.




28236

⚠ **WARNING**



Improper operation or maintenance can result in serious injury or death.

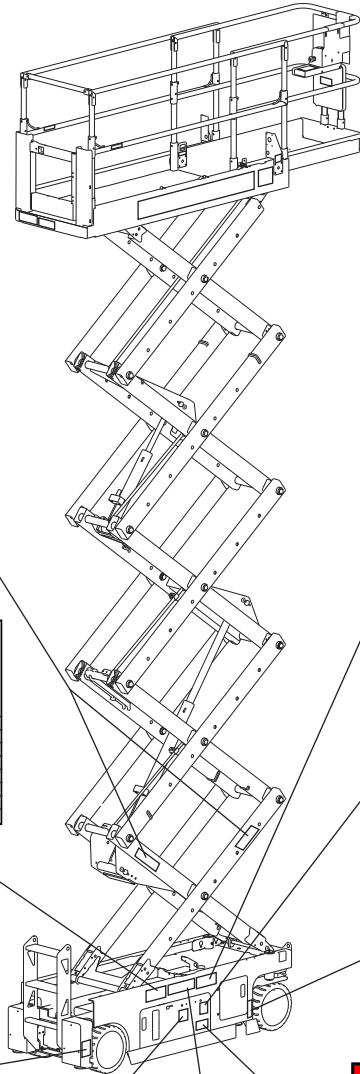


Read and understand Operator's Manual, Responsibilities Manual and Safety Manual and all safety signs before using or maintaining machine.

If you do not understand the information in the manuals, consult your supervisor, the owner or the manufacturer.

General Safety

Safety signs and locations Decals with words



44255

▲ DANGER

Crushing hazard
Contact with moving parts will result in death or serious injury.

Keep away from moving parts.

44255 C

114385

▲ DANGER

Electrocution Hazard
Death or injury can result from contacting electric power lines.
Always contact the electric power line owner. The electric power shall be disconnected or the power lines moved or insulated before machine operations begin.

Maintain required clearance.	
Line voltage	Required clearance
0 to 50KV	10 ft 3.05 m
50KV to 200KV	15 ft 4.60 m
200KV to 350KV	20 ft 6.10 m
350KV to 500KV	25 ft 7.62 m
500KV to 750KV	35 ft 10.67 m
750KV to 1000KV	45 ft 13.72 m

114385 A

82506
(GS-3232 models only)

▲ WARNING

Crushing hazard.
Lowering the outriggers or tires onto a person's foot can result in serious injury.

Keep clear of outriggers and tires before lowering.

82506 B

28175

▲ WARNING

Compartment access is restricted.
Contact with components under any cover may result in serious injury.

Only trained maintenance personnel should access compartments. Access by operator is only advised when performing Pre-operation Inspection. All compartments must remain closed and secured during operation.

28175 H

72853

▲ DANGER

Tip-over hazard.
Raising the platform or driving the machine with chassis trays open will result in death or serious injury.

Close chassis trays before raising the platform or driving the machine.

44737 B

▲ DANGER

Crushing Hazard
Death or serious injury can result from contact with moving scissor arms.

Engage safety arm before performing maintenance or repair.

See service manual.

82561 B

82561

82558

▲ WARNING

Injection Hazard
Escaping fluid under pressure can penetrate skin, causing serious injury.

Relieve pressure before disconnecting hydraulic lines. Keep away from leaks and pin holes. Use a piece of cardboard or paper to search for leaks. Do not use hand.
Fluid injected into skin must be surgically removed within a few hours by a doctor familiar with this type of injury or gangrene will result.

82558 B

82506
(GS-3232 models only)

▲ WARNING

Crushing hazard.
Lowering the outriggers or tires onto a person's foot can result in serious injury.

Keep clear of outriggers and tires before lowering.

82506 B

44737

▲ DANGER

Tip-over hazard.
Raising the platform or driving the machine with chassis trays open will result in death or serious injury.

Close chassis trays before raising the platform or driving the machine.

44737 B

General Safety

Safety signs and locations Decals with words

44255

⚠ DANGER



Crushing hazard
Contact with moving parts will result in death or serious injury.




Keep away from moving parts.


44255 C

82561


⚠ DANGER



Crushing Hazard
Death or serious injury can result from contact with moving scissor arms.



Engage safety arm before performing maintenance or repair.

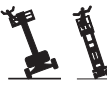


See service manual.

82561 B

31060

⚠ DANGER




Tip-over Hazard
Altering or disabling limit switches can result in machine tip-over. Machine tip-over will result in death or serious injury.

Do not alter or disable limit switch(es).

31060 C

31788

⚠ DANGER



Explosion / Burn Hazard
Ignition of explosive gases or contact with corrosive acid will cause death, burns or blindness.

Keep all open flames and sparks away. Wear personal protective equipment, including face shield, gloves and long sleeve shirt.

READ MANUALS
Read all manuals prior to operation.

DO NOT OPERATE equipment if you do not understand the information in the manuals. Consult your supervisor, the owner or the manufacturer.

31788 C

82506
(GS-3232 models only)

⚠ WARNING



Crushing hazard.
Lowering the outriggers or tires onto a person's foot can result in serious injury.




Keep clear of outriggers and tires before lowering.


82506 B

114360

⚠ DANGER



Tip-over hazard.
Failure to replace batteries with proper weight batteries will result in death or serious injury.




Batteries are used as counterweight and are critical to machine stability. Each battery must weigh 65 lbs / 29.5 kg. Battery box including batteries must weigh a minimum of 335 lbs / 152 kg.


114360 A

44737

⚠ DANGER



Tip-over hazard.
Raising the platform or driving the machine with chassis trays open will result in death or serious injury.



Close chassis trays before raising the platform or driving the machine.

44737 B

82506
(GS-3232 models only)

⚠ WARNING

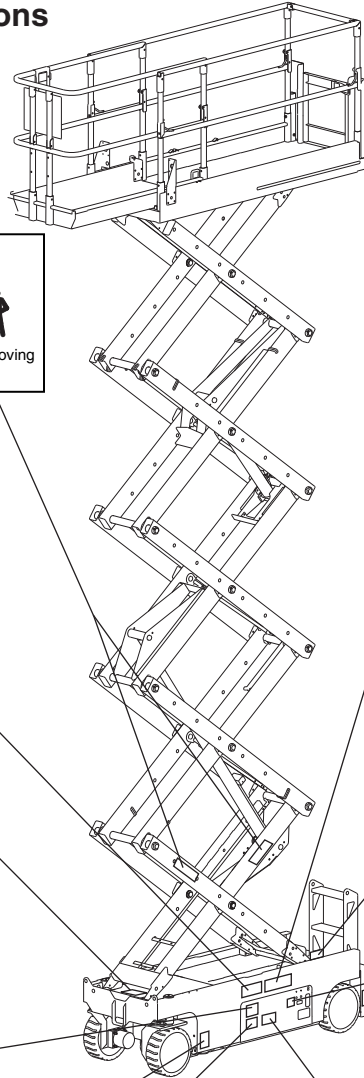


Crushing hazard.
Lowering the outriggers or tires onto a person's foot can result in serious injury.




Keep clear of outriggers and tires before lowering.

82506 B




114385

⚠ DANGER



Electrocution Hazard
Death or injury can result from contacting electric power lines. Always contact the electric power line owner. The electric power shall be disconnected or the power lines moved or insulated before machine operations begin.




Line voltage	Required clearance
0 to 50KV	10 ft / 3.05 m
50KV to 200KV	15 ft / 4.60 m
200KV to 350KV	20 ft / 6.10 m
350KV to 500KV	25 ft / 7.62 m
500KV to 750KV	35 ft / 10.67 m
750KV to 1000KV	45 ft / 13.72 m

114385 A

97712

⚠ DANGER



Collision Hazard
Failure to secure machine before releasing brakes will result in death or serious injury.

- 1 Make sure machine is on a firm, level surface or secured.
- 2 Chock wheels.
- 3 Release brakes.

INSTRUCTIONS

Brake Release Operation

- 1 Chock wheels to prevent machine from rolling.
- 2 Be sure which line is properly secured to drive chassis tie points and path is clear of all obstructions.
- 3 Push in black brake release knob to open brake valve.
- 4 Pump red brake release pump knob.

After machine is loaded:

- 1 Chock wheels to prevent machine from rolling.
- 2 Press drive function select button. Press and hold function enable switch on control handle. Move control handle off center to reset brakes.

97712 B

31508

⚠ DANGER



Electrocution / Fire Hazard
Death or serious injury will result from use of improper or damaged cord and outlet.



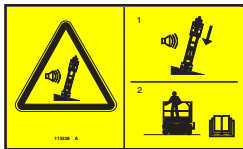
Connect charger to a grounded AC 3-wire electrical outlet only. Before each use, inspect for damaged cord, cables and wires. Replace damaged items before operating.

31508 D

General Safety

Safety signs and locations Decals with symbols

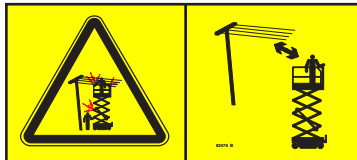
114338



82562



82476



82475
(GS-3232 models only)



82487



82473



114372



114371
(GS-3232 models only)



82487



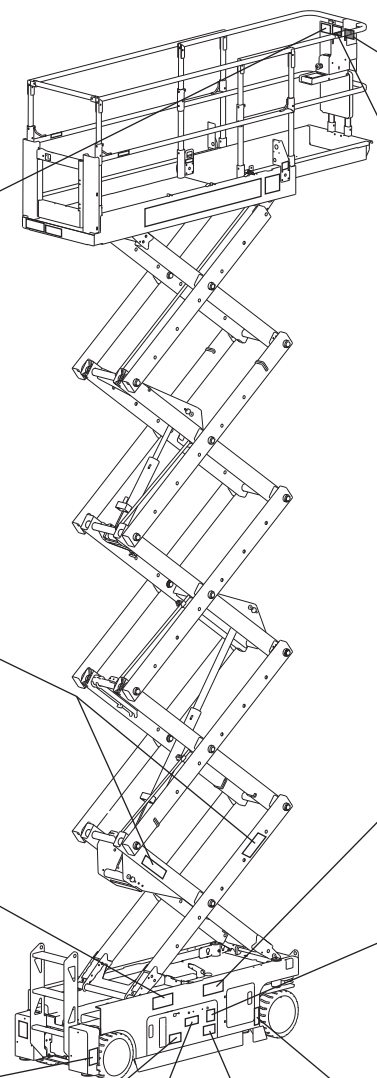
82474



82560

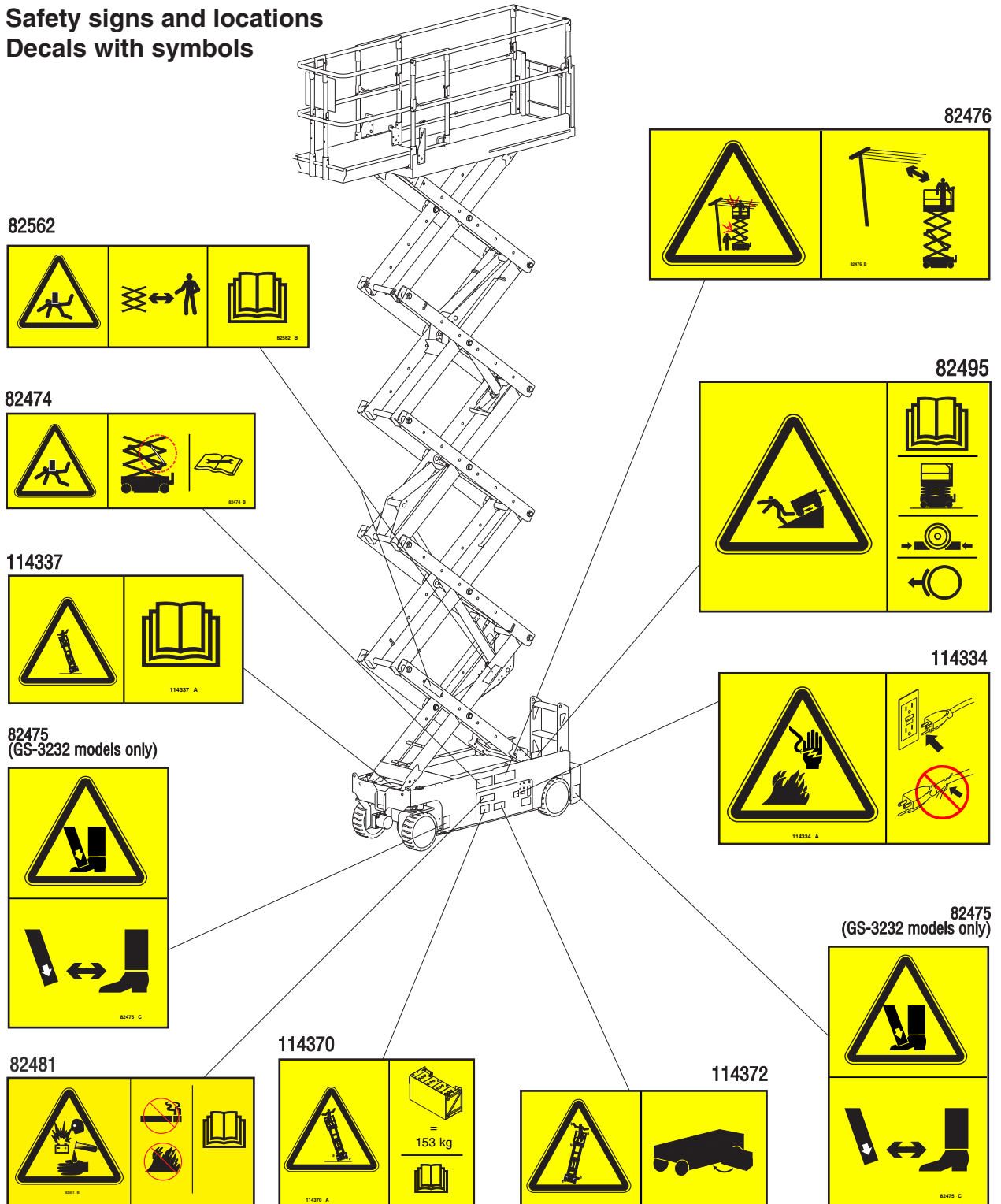


82475
(GS-3232 models only)



General Safety

Safety signs and locations Decals with symbols



Personal Safety

Fall Protection

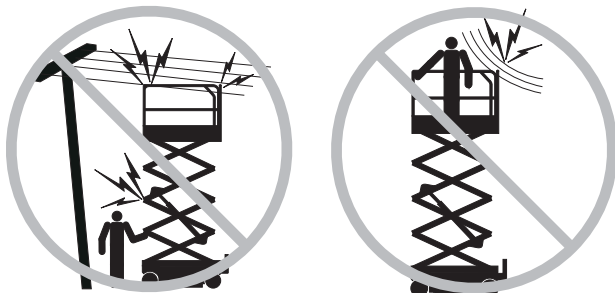
Personal fall protection equipment (PFPE) is not required when operating this machine. If PFPE is required by job site or employer rules, the following shall apply:

All PFPE must comply with applicable governmental regulations, and must be inspected and used in accordance with the manufacturer's instructions.

Work Area Safety

⚠️ Electrocuting Hazards

This machine is not electrically insulated and will not provide protection from contact with or proximity to electrical current.



Maintain safe distances from electrical power lines and apparatus in accordance with applicable governmental regulations and the following chart.

Line Voltage Clearance	Required	
0 to 50KV	10 ft	3.05 m
50KV to 200KV	15 ft	4.60 m
200KV to 350KV	20 ft	6.10 m
350KV to 500KV	25 ft	7.62 m
500KV to 750KV	35 ft	10.67 m
750KV to 1000KV	45 ft	13.72 m

Allow for platform movement, electrical line sway or sag and beware of strong or gusty winds.

Keep away from the machine if it contacts energized power lines. Personnel on the ground or in the platform must not touch or operate the machine until energized power lines are shut off.

Do not operate the machine during lightning or storms.

Do not use the machine as a ground for welding.

⚠️ Tip-over Hazards

Occupants, equipment and materials must not exceed the maximum platform capacity or the maximum capacity of the platform extension.

Maximum Capacity

Model	Platform retracted	Platform extended		Maximum occupants
		Platform only	Extension only	
GS-1530	600 lbs 272 kg	350 lbs 159 kg	250 lbs 113 kg	2
GS-1930	500 lbs 227 kg	250 lbs 113 kg	250 lbs 113 kg	2
GS-2032	800 lbs 363 kg	550 lbs 249 kg	250 lbs 113 kg	2
GS-2632	500 lbs 227 kg	250 lbs 113 kg	250 lbs 113 kg	2
GS-3232	500 lbs 227 kg	250 lbs 113 kg	250 lbs 113 kg	2
GS-2046	1200 lbs 544 kg	950 lbs 431 kg	250 lbs 113 kg	4
GS-2646	1000 lbs 454 kg	750 lbs 340 kg	250 lbs 113 kg	3
GS-3246	700 lbs 318 kg	450 lbs 204 kg	250 lbs 113 kg	2

Platform retracted



Platform extended



Extension only Platform only

Work Area Safety

Do not raise the platform unless the machine is on a firm, level surface.



Do not depend on the tilt alarm as a level indicator. The tilt alarm sounds on the chassis only when the machine is on a slope.

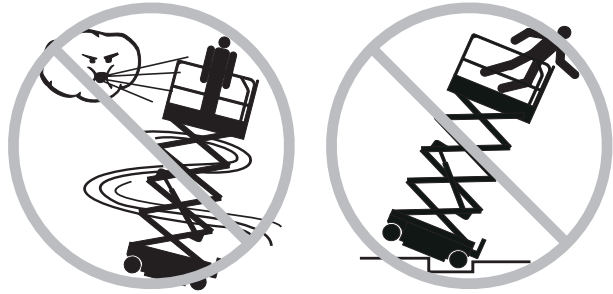
If the tilt alarm sounds:

Lower the platform. Move the machine to a firm, level surface. If the tilt alarm sounds when the platform is raised, use extreme caution to lower the platform.

Do not drive over 0.5 mph / 0.8 km/h with the platform raised.

Do not raise the platform when wind speeds may exceed 28 mph / 12.5 m/s. If wind speeds exceed 28 mph / 12.5 m/s when the platform is raised, lower the platform and do not continue to operate the machine.

Do not operate the machine in strong or gusty winds. Do not increase the surface area of the platform or the load. Increasing the area exposed to the wind will decrease machine stability.



Use extreme care and slow speeds while driving the machine in a stowed position across uneven terrain, debris, unstable or slippery surfaces and near holes and drop-offs.

Do not drive the machine on or near uneven terrain, unstable surfaces or other hazardous conditions with the platform raised.

Do not use the machine as a crane.

Do not push the machine or other objects with the platform.

Do not contact adjacent structures with the platform.

Do not tie the platform to adjacent structures.

Do not place loads outside the platform perimeter.

Do not operate the machine with the chassis trays open.

Work Area Safety

Do not push off or pull toward any object outside of the platform.



Do not use batteries that weigh less than the original equipment. Batteries are used as counterweight and are critical to machine stability. Each battery must weigh 65 pounds / 29.5 kg. Battery box including batteries must weigh a minimum of 335 lbs / 152 kg.

Do not modify or alter an aerial work platform without prior written permission from the manufacturer. Mounting attachments for holding tools or other materials onto the platform, toeboards or guard rail system can increase the weight in the platform and the surface area of the platform or the load.

Do not place or attach fixed or overhanging loads to any part of this machine.

Model	Maximum allowable side force	Maximum number of occupants
GS-1530	100 lbs / 445 N	2
GS-1930	100 lbs / 445 N	2
GS-2032	120 lbs / 534 N	2
GS-2632	100 lbs / 445 N	2
GS-3232	100 lbs / 445 N	2
GS-2046	200 lbs / 890 N	4
GS-2646	150 lbs / 667 N	3
GS-3246	105 lbs / 467 N	2



Do not place ladders or scaffolds in the platform or against any part of this machine.

Do not transport tools and materials unless they are evenly distributed and can be safely handled by person(s) in the platform.

Do not use the machine on a moving or mobile surface or vehicle.

Be sure all tires are in good condition, castle nuts are properly tightened and cotter pins are properly installed.

Do not alter or disable the limit switches.

Do not alter or disable machine components that in any way affect safety and stability.

Do not replace items critical to machine stability with items of different weight or specification.

Work Area Safety

If equipped with outriggers

Do not set the machine up where it cannot be leveled using only the outriggers.

Do not adjust the outriggers while the platform is raised.

Do not drive while the outriggers are lowered.

⚠️ Crushing Hazard

Keep hands and limbs out of scissors.

Keep hands clear when folding rails.

Do not work under the platform or in the scissor links without the safety arm in place.

Use common sense and planning when operating the machine with the controller from the ground. Maintain safe distances between the operator, the machine and fixed objects.

⚠️ Operation on Slopes Hazards

Do not drive the machine on a slope that exceeds the slope and side slope rating of the machine. Slope rating applies to machines in the stowed position.

Model	Maximum slope rating stowed position	Maximum side slope rating stowed position
GS-1530	30% (17°)	30% (17°)
GS-1930	30% (17°)	30% (17°)
GS-2032	30% (17°)	30% (17°)
GS-2632	25% (14°)	25% (14°)
GS-3232	25% (14°)	25% (14°)
GS-2046	30% (17°)	30% (17°)
GS-2646	30% (17°)	30% (17°)
GS-3246	25% (14°)	25% (14°)

Note: Slope rating is subject to ground conditions and adequate traction.

⚠️ Fall Hazards

The guard rail system provides fall protection. If occupants of the platform are required to wear personal fall protection equipment (PFPE) due to job site or employer rules, PFPE and its use shall be in accordance with the PFPE manufacturer's instructions and applicable governmental requirements. Use approved lanyard attachment point provided.

Keep the platform floor clear of debris.

Attach the platform entry chain or close the entry gate before operating.

Do not operate the machine unless the guard rails are properly installed and the entry is secured for operation.

Do not sit, stand or climb on the platform guard rails. Maintain a firm footing on the platform floor at all times.

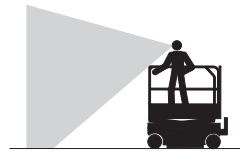


Do not climb down from the platform when raised.

Do not enter or exit the platform unless the machine is in the stowed position.

Work Area Safety

Collision Hazards



Be aware of limited sight distance and blind spots when driving or operating.

Be aware of extended platform position when moving the machine.

The machine must be on a level surface or secured before releasing the brakes.

Check the work area for overhead obstructions or other possible hazards.



Be aware of crushing hazards when grasping the platform guard rail.

Operators must comply with employer, job site and governmental rules regarding use of personal protective equipment.

Do not lower the platform unless the area below is clear of personnel and obstructions.



Limit travel speed according to the condition of the ground surface, congestion, slope, location of personnel, and any other factors which may cause collision.

Do not operate a machine in the path of any crane or moving overhead machinery unless the controls of the crane have been locked out and/or precautions have been taken to prevent any potential collision.

No stunt driving or horseplay while operating a machine.

Work Area Safety

⚠ Bodily Injury Hazard

Do not operate the machine with a hydraulic oil or air leak. An air leak or hydraulic leak can penetrate and/or burn skin.

Improper contact with components under any cover will cause serious injury. Only trained maintenance personnel should access compartments. Access by the operator is only advised when performing a pre-operation inspection. All compartments must remain closed and secured during operation.

⚠ Explosion and Fire Hazards

Do not operate the machine or charge the battery in hazardous locations or locations where potentially flammable or explosive gases or particles may be present.

⚠ Damaged Machine Hazards

Do not use a damaged or malfunctioning machine.

Conduct a thorough pre-operation inspection of the machine and test all functions before each work shift. Immediately tag and remove from service a damaged or malfunctioning machine.

Be sure all maintenance has been performed as specified in this manual and the appropriate service manual.

Be sure all decals are in place and legible.

Be sure the operator's, safety, and responsibilities manuals are complete, legible and in the storage container located on the platform.

⚠ Component Damage Hazards

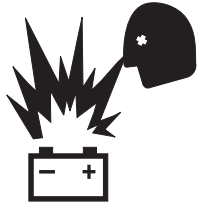
Do not use any battery charger greater than 24V to charge the batteries.

Do not use the machine as a ground for welding.

Work Area Safety

⚠ Battery Safety

Burn Hazards



Batteries contain acid. Always wear protective clothing and eye wear when working with batteries.



Avoid spilling or contacting battery acid. Neutralize battery acid spills with baking soda and water.

Do not expose the batteries or the charger to water or rain during charging.

Explosion Hazards



Keep sparks, flames and lighted tobacco away from batteries. Batteries emit an explosive gas.



The battery tray should remain open during the entire charging cycle.

Do not contact the battery terminals or the cable clamps with tools that may cause sparks.

Component Damage Hazard

Do not use any battery charger greater than 24V to charge the batteries.

Electrocution/Burn Hazards



Connect the battery charger to a grounded, AC 3-wire electrical outlet only.

Inspect daily for damaged cords, cables and wires. Replace damaged items before operating.

Avoid electrical shock from contact with battery terminals. Remove all rings, watches and other jewelry.

Tip-over Hazard

Do not use batteries that weigh less than the original equipment. Batteries are used as counterweight and are critical to machine stability. Each battery must weigh 65 pounds / 29.5 kg. Battery tray including batteries must weigh a minimum of 335 lbs / 152 kg.

Lifting Hazard

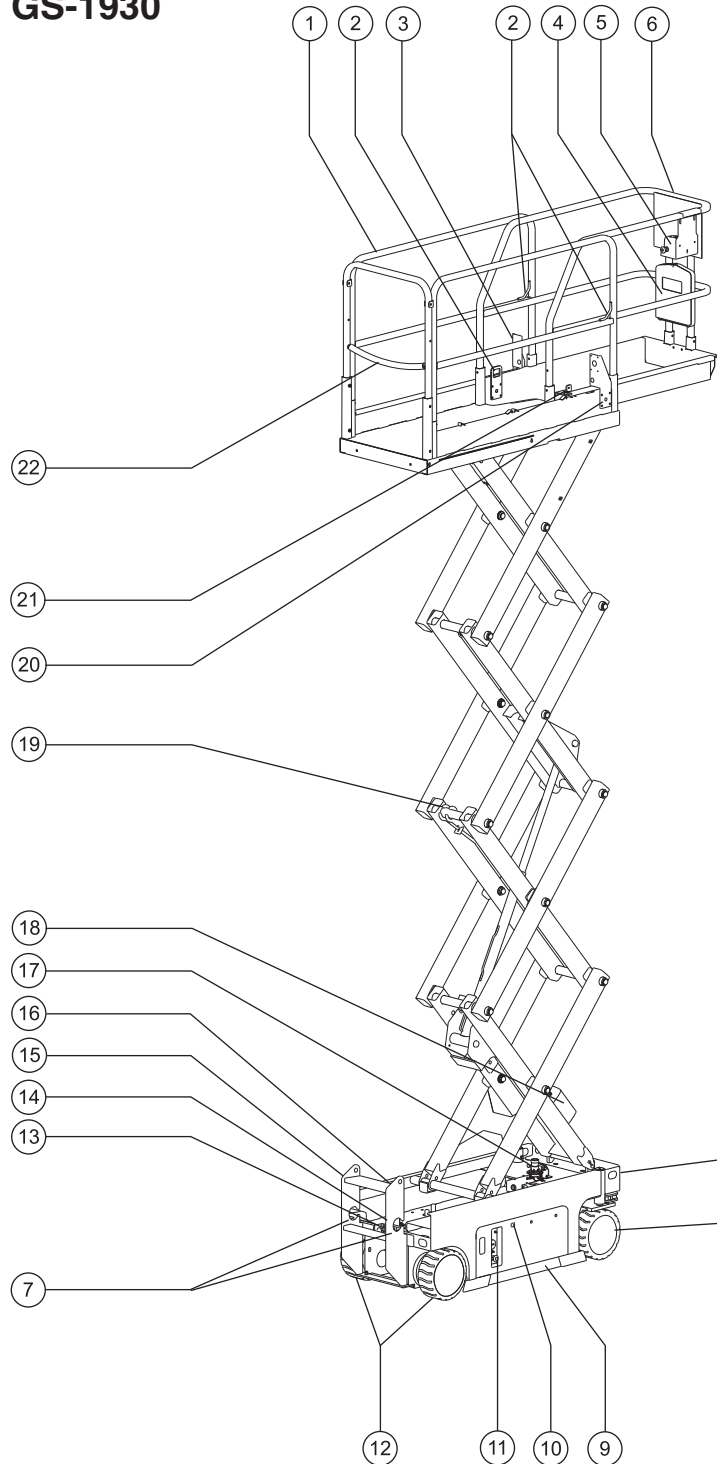
Use the appropriate number of people and proper lifting techniques when lifting batteries.

Lockout After Each Use

- 1 Select a safe parking location—firm level surface, clear of obstruction and traffic.
- 2 Lower the platform.
- 3 Turn the key switch to the off position and remove the key to secure from unauthorized use.
- 4 Chock the wheels.
- 5 Charge the batteries.

Legend

GS-1530
GS-1930

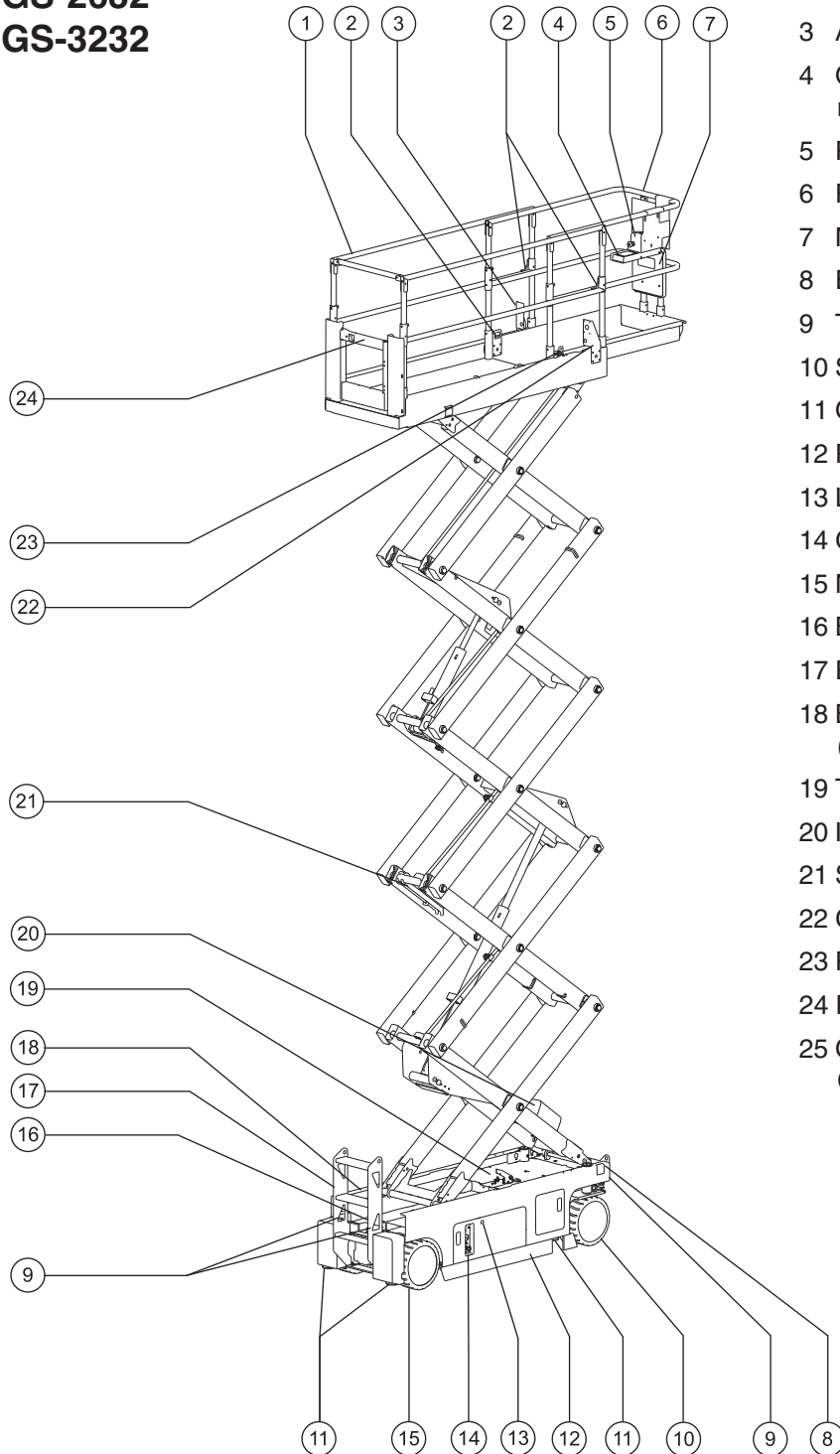


- 1 Platform guard rails
- 2 Lanyard anchorage point
- 3 Air line to platform (optional)
- 4 Manual storage container
- 5 Platform controls
- 6 Platform extension
- 7 Transport tie-down
- 8 Steer tire
- 9 Pothole guard
- 10 LED diagnostic readout
- 11 Ground controls
- 12 Non-steer tire
- 13 Emergency lowering knob
- 14 Brake release pump
- 15 Entry ladder/transport tie-down
- 16 Battery charger
(on opposite side of machine)
- 17 Tilt alarm (under cover)
- 18 Inverter (optional)
- 19 Safety arm
- 20 GFCI outlet
- 21 Platform extension release pedal
- 22 Platform entry chain or gate

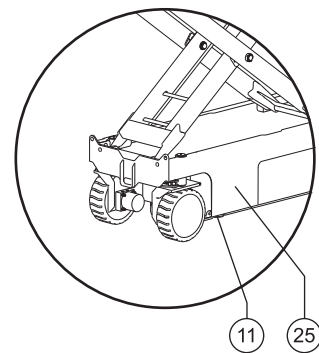


Legend

GS-2032
GS-2632
GS-3232

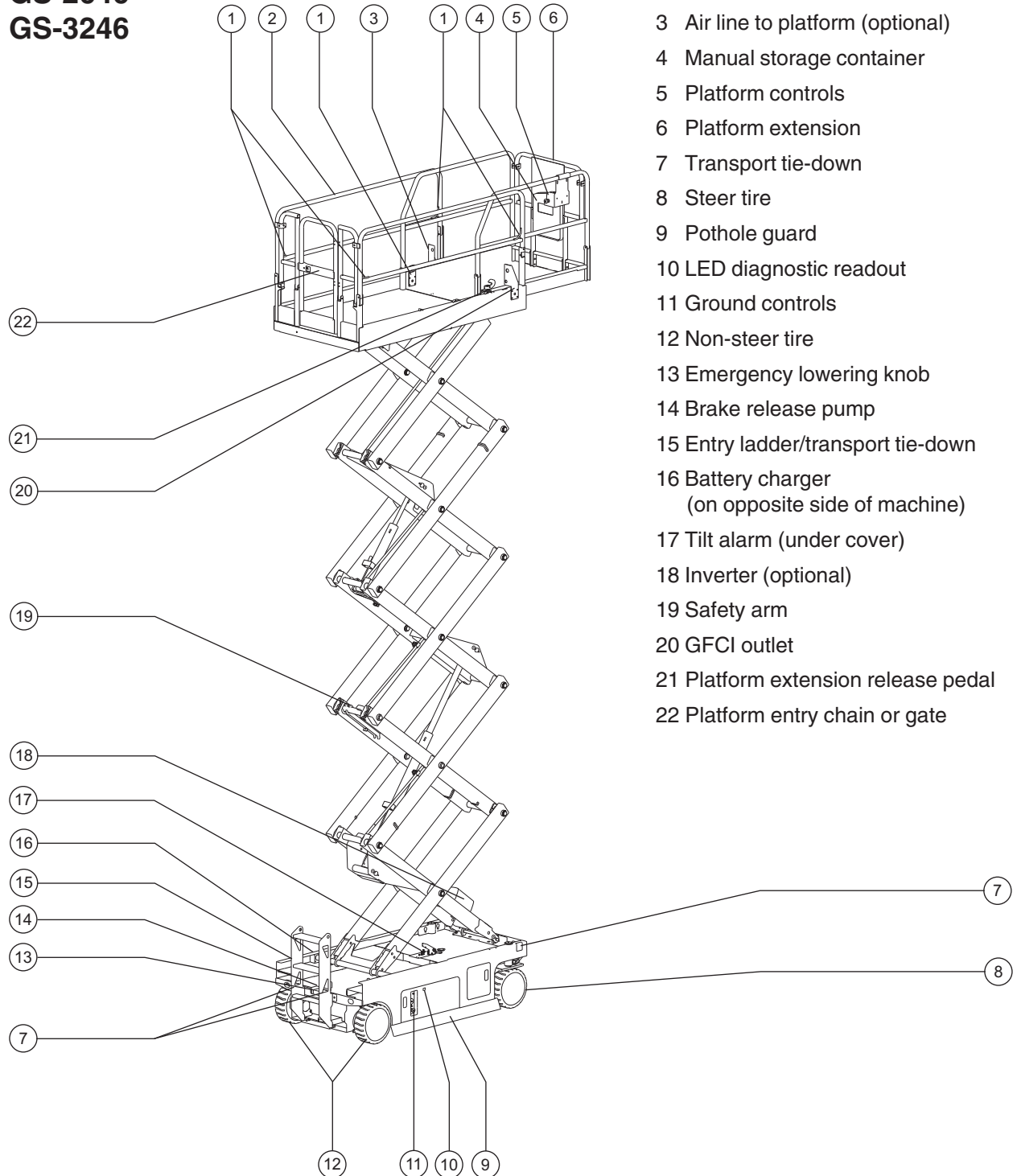


- 1 Platform guard rails
- 2 Lanyard anchorage point
- 3 Air line to platform (optional)
- 4 Outrigger controls - GS-3232 models
- 5 Platform controls
- 6 Platform extension
- 7 Manual storage container
- 8 Emergency lowering knob
- 9 Transport tie-down
- 10 Steer tire
- 11 Outrigger - GS-3232 models
- 12 Pothole guard
- 13 LED diagnostic readout
- 14 Ground controls
- 15 Non-steer tire
- 16 Brake release pump
- 17 Entry ladder/transport tie-down
- 18 Battery charger (on opposite side of machine)
- 19 Tilt alarm (under cover)
- 20 Inverter (optional)
- 21 Safety arm
- 22 GFCI outlet
- 23 Platform extension release pedal
- 24 Platform entry chain or gate
- 25 Outrigger control ECM GS-3232 models



Legend

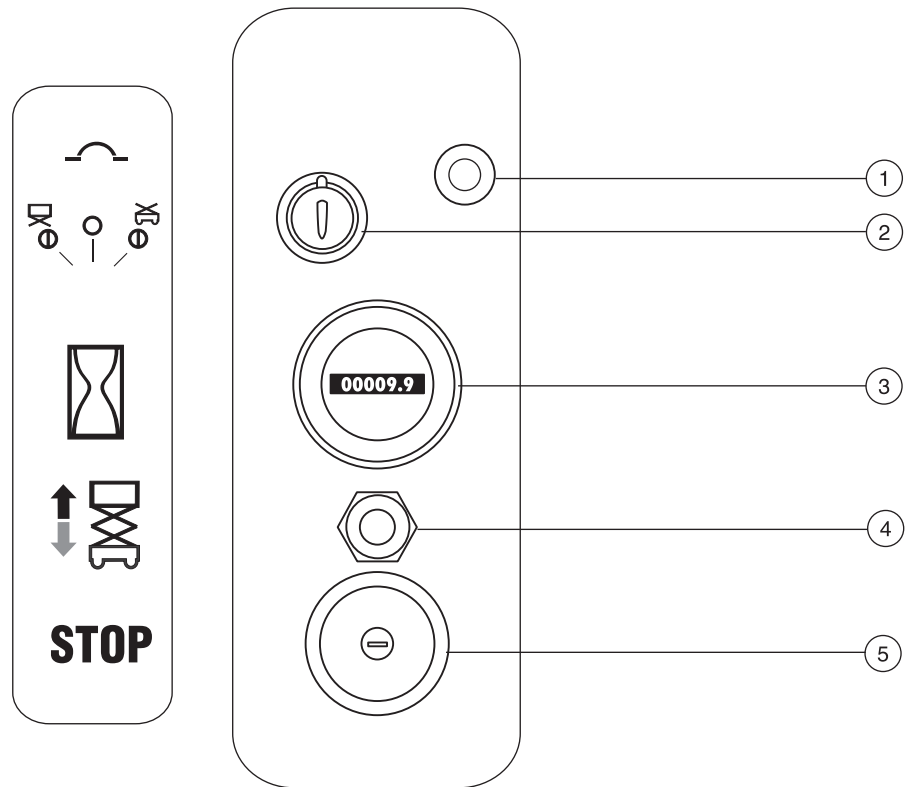
GS-2046
GS-2646
GS-3246



- 1 Lanyard anchorage point
- 2 Platform guard rails
- 3 Air line to platform (optional)
- 4 Manual storage container
- 5 Platform controls
- 6 Platform extension
- 7 Transport tie-down
- 8 Steer tire
- 9 Pothole guard
- 10 LED diagnostic readout
- 11 Ground controls
- 12 Non-steer tire
- 13 Emergency lowering knob
- 14 Brake release pump
- 15 Entry ladder/transport tie-down
- 16 Battery charger
(on opposite side of machine)
- 17 Tilt alarm (under cover)
- 18 Inverter (optional)
- 19 Safety arm
- 20 GFCI outlet
- 21 Platform extension release pedal
- 22 Platform entry chain or gate



Controls



Ground Control Panel

- 1 7 amp breaker for electric circuits
- 2 Key switch for platform/off/ground selection
Turn the key switch to the platform position and the platform controls will operate. Turn the key switch to the off position and the machine will be off. Turn the key switch to the base position and the ground controls will operate.
- 3 Hour meter
Indicates the number of hours the machine has been put into use.

- 4 Platform up/down toggle switch

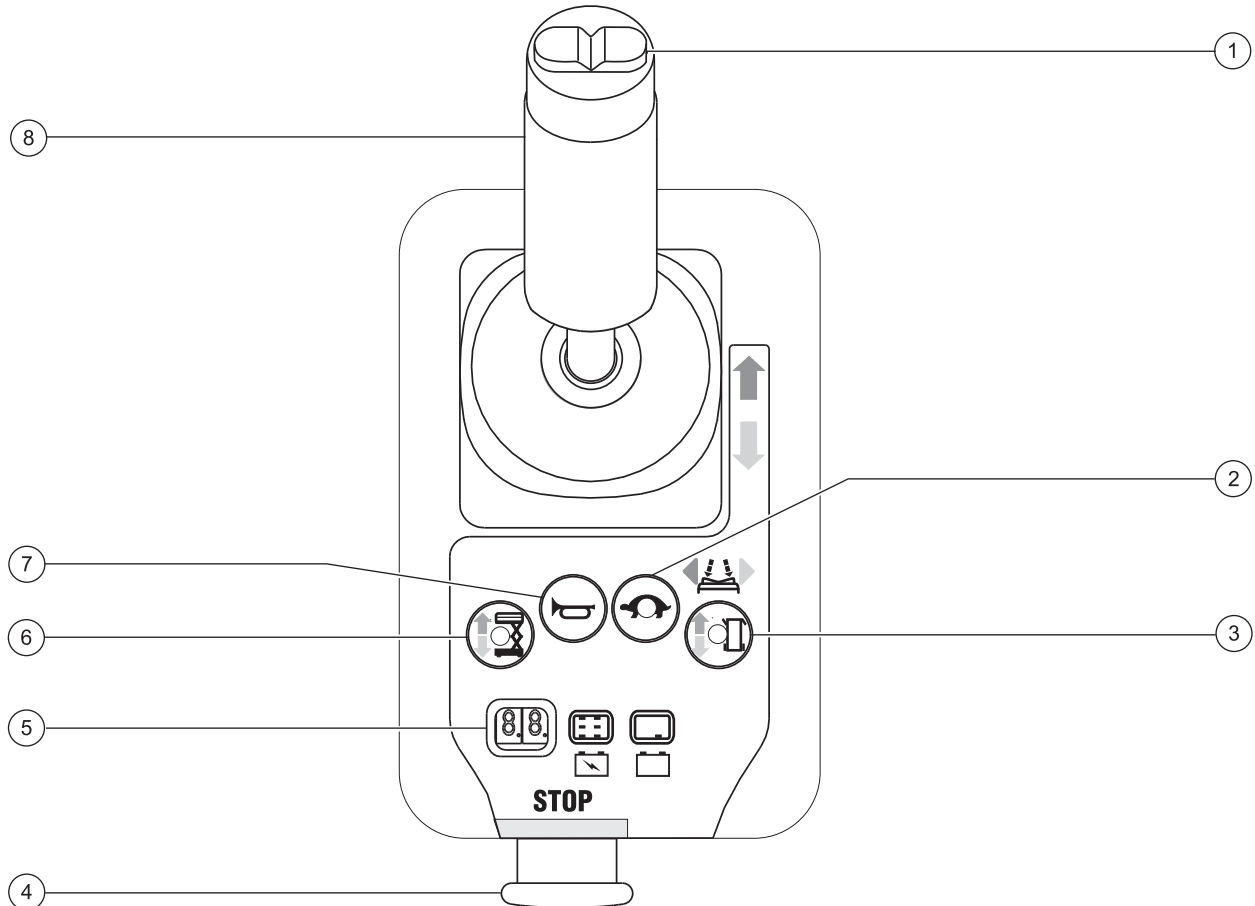
Move the switch up and the platform will raise. Move the switch down and the platform will lower.



- 5 Red Emergency Stop button

Push in the red Emergency Stop button to the off position to stop all functions. Pull out the red Emergency Stop button to the on position to operate the machine.

Controls



Platform Control Panel

- | | |
|---|---|
| 1 Thumb rocker switch for steer functions | 5 LED |
| 2 Drive speed button | 6 Lift function select button |
| 3 Drive function select button | 7 Horn button |
| 4 Red Emergency Stop button | 8 Proportional control handle and function enable switch for lift and drive functions |

Controls

Platform Control Panel

- 1 Thumb rocker switch for steer functions

Press the thumb rocker switch in either direction to activate steer function.

- 2 Drive speed button

Press this button to activate the slow or fast drive function.

- 3 Drive function select button

Press this button to activate the drive function.



- 4 Red Emergency Stop button

Push in the red Emergency Stop button to the off position to stop all functions. Pull out the red Emergency Stop button to the on position to operate the machine.

- 5 LED

Diagnostic read out and battery charge indicator.

- 6 Lift function select button

Press this button to activate the lift function.



- 7 Horn Button

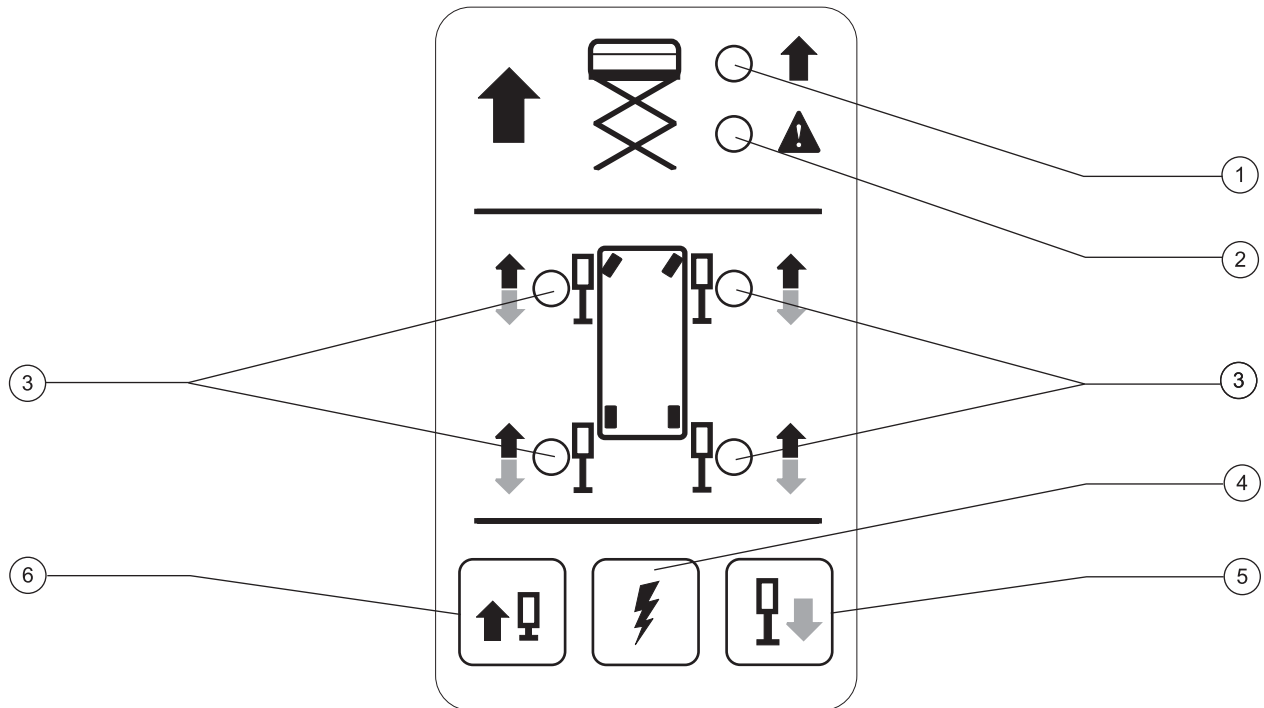
Push the horn button and the horn will sound. Release the horn button and the horn will stop.

- 8 Proportional control handle and function enable switch for lift and drive functions

Lift function: Press and hold the function enable switch to enable the lift function on the platform control handle. Move the control handle in the direction indicated by the blue arrow and the platform will raise. Move the control handle in the direction indicated by the yellow arrow and the platform will lower. The descent alarm should sound while the platform is lowering.

Drive function: Press and hold the function enable switch to enable the drive function on the platform control handle. Move the control handle in the direction indicated by the blue arrow on the control panel and the machine will move in the direction that the blue arrow points. Move the control handle in the direction indicated by the yellow arrow on the control panel and the machine will move in the direction that the yellow arrow points.

Controls



Outrigger Control Panel (GS-3232)

1 Lift enable indicator

Turns green to indicate that the up/down function can be operated.

2 Lift error indicator light

Turns red to indicate that the up/down function cannot be operated.

3 Individual outrigger indicator light

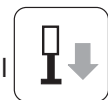
Turns solid green to indicate the outriggers made contact with the ground. Flashes red or solid red to indicate an error.

4 Function enable button

Press and hold the button to activate the outrigger extend or outrigger retract button.

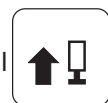
5 Outrigger extend button

Press this button and the outriggers will extend.



6 Outrigger retract button

Press this button and the outriggers will retract.



Inspections



Do Not Operate Unless:

- ☑ You learn and practice the principles of safe machine operation contained in this operator's manual.

- 1 Avoid hazardous situations.

- 2 Always perform a pre-operation inspection.**

Know and understand the pre-operation inspection before going on to the next section.

- 3 Always perform function tests prior to use.
- 4 Inspect the workplace.
- 5 Only use the machine as it was intended.

Pre-operation Inspection Fundamentals

It is the responsibility of the operator to perform a pre-operation inspection and routine maintenance.

The pre-operation inspection is a visual inspection performed by the operator prior to each work shift. The inspection is designed to discover if anything is apparently wrong with a machine before the operator performs the function tests.

The pre-operation inspection also serves to determine if routine maintenance procedures are required. Only routine maintenance items specified in this manual may be performed by the operator.

Refer to the list on the next page and check each of the items.

If damage or any unauthorized variation from factory delivered condition is discovered, the machine must be tagged and removed from service.

Repairs to the machine may only be made by a qualified service technician, according to the manufacturer's specifications. After repairs are completed, the operator must perform a pre-operation inspection again before going on to the function tests.

Scheduled maintenance inspections shall be performed by qualified service technicians, according to the manufacturer's specifications and the requirements listed in the responsibilities manual.

Inspections

Pre-operation Inspection

- ❑ Be sure that the operator's, safety and responsibilities manuals are complete, legible and in the storage container located in the platform.
- ❑ Be sure that all decals are legible and in place. See Inspections section.
- ❑ Check for hydraulic oil leaks and proper oil level. Add oil if needed. See Maintenance section.
- ❑ Check for battery fluid leaks and proper fluid level. Add distilled water if needed. See Maintenance section.

Check the following components or areas for damage, improperly installed or missing parts and unauthorized modifications:

- ❑ Electrical components, wiring and electrical cables
- ❑ Hydraulic hoses, fittings, cylinders and manifolds
- ❑ Battery pack and connections
- ❑ Drive motors
- ❑ Wear pads
- ❑ Tires and wheels
- ❑ Ground strap
- ❑ Limit switches, alarms and horn
- ❑ Alarms and beacons (if equipped)
- ❑ Nuts, bolts and other fasteners
- ❑ Platform entry chain or gate
- ❑ Brake release components
- ❑ Safety Arm

- ❑ Pothole guards
- ❑ Platform extension
- ❑ Scissor pins and retaining fasteners
- ❑ Platform control joystick

Check entire machine for:

- ❑ Cracks in welds or structural components
- ❑ Dents or damage to machine
- ❑ Excessive rust, corrosion or oxidation
- ❑ Be sure that all structural and other critical components are present and all associated fasteners and pins are in place and properly tightened.
- ❑ Be sure side rails are installed and bolts are fastened.
- ❑ Be sure that the chassis trays are closed and latched and the batteries are properly connected.

Note: If the platform must be raised to inspect the machine, make sure the safety arm is in place. See Operating Instructions section.

Inspections



Do Not Operate Unless:

- You learn and practice the principles of safe machine operation contained in this operator's manual.

1 Avoid hazardous situations.

2 Always perform a pre-operation inspection.

3 Always perform function tests prior to use.

Know and understand the function tests before going on to the next section.

4 Inspect the workplace.

5 Only use the machine as it was intended.

Function Test Fundamentals

The function tests are designed to discover any malfunctions before the machine is put into service. The operator must follow the step-by-step instructions to test all machine functions.

A malfunctioning machine must never be used. If malfunctions are discovered, the machine must be tagged and removed from service. Repairs to the machine may only be made by a qualified service technician, according to the manufacturer's specifications.

After repairs are completed, the operator must perform a pre-operation inspection and function tests again before putting the machine into service.

Inspections

- 1 Select a test area that is firm, level and free of obstruction.
- 2 Be sure the battery pack is connected.

At the Ground Controls

- 3 Pull out the platform and ground red Emergency Stop buttons to the on position.
- 4 Turn the key switch to ground control.
- 5 Observe the diagnostic LED readout on the platform controls.

- ⦿ Result: The LED should look like the picture at right.



Test Emergency Stop

- 6 Push in the ground red Emergency Stop button to the off position.
- ⦿ Result: No functions should operate.
- 7 Pull out the red Emergency Stop button to the on position.

Test the Up/Down Functions

The audible warnings on this machine and the standard horn all come from the same central alarm. The horn is a constant tone. The descent alarm sounds at 60 beeps per minute. The alarm that goes off when the pothole guards have not deployed sounds at 300 beeps per minute. The alarm that goes off when the machine is not level sounds at 600 beeps per minute. An optional automotive-style horn is also available.

- 8 Activate the up function.

- ⦿ Result: The platform should raise.

- 9 Activate the down function.

- ⦿ Result: The platform should lower. The descent alarm should sound while the platform is lowering.

Test Emergency Lowering

- 10 Activate the up function and raise the platform approximately 2 ft / 60 cm.

- 11 Pull the emergency lowering knob located behind the entry ladder.

- ⦿ Result: The platform should lower. The descent alarm will not sound.

- 12 Turn the key switch to platform control.

At the Platform Controls

Test Emergency Stop

- 13 Push in the platform red Emergency Stop button to the off position.

- ⦿ Result: No functions should operate.

Test the Horn

- 14 Pull out the red Emergency Stop button to the on position.

- 15 Push the horn button.

- ⦿ Result: The horn should sound.

Inspections

Test the Function Enable Switch

- 16 Do not hold the function enable switch on the control handle.
- 17 Slowly move the control handle in the direction indicated by the blue arrow, then in the direction indicated by the yellow arrow.

⦿ Result: No functions should operate.

Test the Up/Down Functions

- 18 Press the lift function select button.
- 19 Press and hold the function enable switch on the control handle.
- 20 Slowly move the control handle in the direction indicated by the blue arrow.



- ⦿ Result: The platform should raise. The pothole guards should deploy.
- 21 Release the control handle.
- ⦿ Result: The platform should stop raising.
- 22 Press and hold the function enable switch. Slowly move the control handle in the direction indicated by the yellow arrow.
- ⦿ Result: The platform should lower. The descent alarm should sound while the platform is lowering.

Test the Steering

Note: When performing the steer and drive function tests, stand in the platform facing the steer end of the machine.

- 23 Press the drive function select switch.



- 24 Press and hold the function enable switch on the control handle.
- 25 Depress the thumb rocker switch on top of the control handle in the direction identified by the blue triangle on the control panel.
- ⦿ Result: The steer wheels should turn in the direction that the blue triangle points on the control panel.
- 26 Depress the thumb rocker switch in the direction identified by the yellow triangle on the control panel.
- ⦿ Result: The steer wheels should turn in the direction that the yellow triangle points on the control panel.

Inspections

Test Drive and Braking

- 27 Press and hold the function enable switch.
- 28 Slowly move the control handle in the direction indicated by the blue arrow on the control panel until the machine begins to move, then return the handle to the center position.
 - ⦿ Result: The machine should move in the direction that the blue arrow points on the control panel, then come to an abrupt stop.
- 29 Slowly move the control handle in the direction indicated by the yellow arrow on the control panel until the machine begins to move, then return the handle to the center position.
 - ⦿ Result: The machine should move in the direction that the yellow arrow points on the control panel, then come to an abrupt stop.

Note: The brakes must be able to hold the machine on any slope it is able to climb.

Test the Tilt Sensor Operation

Note: Perform this test from the ground with the platform controller. Do not stand in the platform.

- 30 Fully lower the platform.
- 31 Place a 2x4 or similar piece of wood under both wheels on one side and drive the machine up onto them.
- 32 Raise the platform approximately 7 ft / 2.1 m from the ground.
 - ⦿ Result: The platform should stop elevating and the tilt alarm will sound at 600 beeps per minute.
- 33 Move the drive control handle in the direction indicated by the blue arrow, then move the drive control handle in the direction indicated by the yellow arrow.
 - ⦿ Result: The drive function should not work in either direction.
- 34 Lower the platform and remove both pieces of wood.

Inspections

Test Limited Drive Speed

- 35 Press the lift function select button.
- 36 Press and hold the function enable switch.
Raise the platform approximately 4 ft / 1.2 m from the ground.
- ⦿ Result: The pothole guards should deploy.
- 37 Press the drive function select switch.
- 38 Press and hold the function enable switch.
Slowly move the control handle to the full drive position.
- ⦿ Result: The maximum achievable drive speed with the platform raised should not exceed 0.7 ft per second / 20 cm/s.

If the drive speed with the platform raised exceeds 0.7 ft per second / 20 cm/s, immediately tag and remove the machine from service.

Test the Pothole Guards

Note: The pothole guards should automatically deploy when the platform is raised. The pothole guards activate another limit switch which allows the machine to continue to function. If the pothole guards do not deploy, an alarm sounds and the machine will not drive.

- 39 Raise the platform.
- ⦿ Result: When the platform is raised 4 ft / 1.2 m from the ground, the pothole guards should deploy.
- 40 Press on the pothole guards on one side, and then the other.
- ⦿ Result: The pothole guards should not move.
- 41 Lower the platform.
- ⦿ Result: The pothole guards should return to the stowed position.
- 42 Place a 2x4 or similar piece of wood under a pothole guard. Raise the platform.
- ⦿ Result: Before the platform is raised 7 ft / 2.1 m from the ground, an alarm should sound and the drive function should not work.
- 43 Lower the platform and remove the 2x4.

Inspections

Test the Outrigger System (GS-3232)

44 Press the lift function select button.

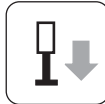
45 Press and hold the function enable switch on the control handle.

46 Slowly move the control handle in the direction indicated by the blue arrow.

- ⦿ Result: The platform should raise to 22 ft / 6.7 m and stop. The lift error indicator light will turn red.

47 Fully lower the platform.

48 Press and hold the outrigger extend button.



- ⦿ Result: The outriggers should not extend.

49 Press and hold the function enable button. Press and hold the outrigger extend button.



- ⦿ Result: The outriggers should extend. The individual outrigger LED indicator lights will turn green as the corresponding outrigger makes contact with the ground.

Continue pressing the function enable and the outrigger extend buttons until the lift enable indicator light turns green and a beep is heard. The machine is now level. At this point, the drive and steer functions are disabled.

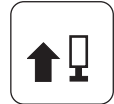
50 Press and hold the function enable switch on the control handle.

51 Slowly move the control handle in the direction indicated by the blue arrow.

- ⦿ Result: The platform should raise to 32 ft / 9.8 m and stop.

52 Fully lower the platform.

53 Press and hold the outrigger retract button.



- ⦿ Result: The outriggers should not retract.

54 Press and hold the function enable button. Press and hold the outrigger retract button.

- ⦿ Result: The outriggers should start retracting.

Release the function enable and the outrigger retract buttons once the outriggers are off the ground. After approximately 5 seconds, the outrigger indicator lights will turn off. All functions are now restored.

Note: The machine drive speeds are reduced the first time the drive function is enabled after retracting the outriggers. The drive speeds are restored to normal after driving for approximately 6 seconds.

Inspections



Do Not Operate Unless:

- ☑ You learn and practice the principles of safe machine operation contained in this operator's manual.

- 1 Avoid hazardous situations.
- 2 Always perform a pre-operation inspection.
- 3 Always perform function tests prior to use.

4 Inspect the workplace.

Know and understand the workplace inspection before going on to the next section.

- 5 Only use the machine as it was intended.

Fundamentals

The workplace inspection helps the operator determine if the workplace is suitable for safe machine operation. It should be performed by the operator prior to moving the machine to the workplace.

It is the operator's responsibility to read and remember the workplace hazards, then watch for and avoid them while moving, setting up and operating the machine.

Workplace Inspection

Be aware of and avoid the following hazardous situations:

- drop-offs or holes
- bumps, floor obstructions or debris
- sloped surfaces
- unstable or slippery surfaces
- overhead obstructions and high voltage conductors
- hazardous locations
- inadequate surface support to withstand all load forces imposed by the machine
- wind and weather conditions
- the presence of unauthorized personnel
- other possible unsafe conditions

Inspections

Inspection for Decals with Words GS-1530 and GS-1930

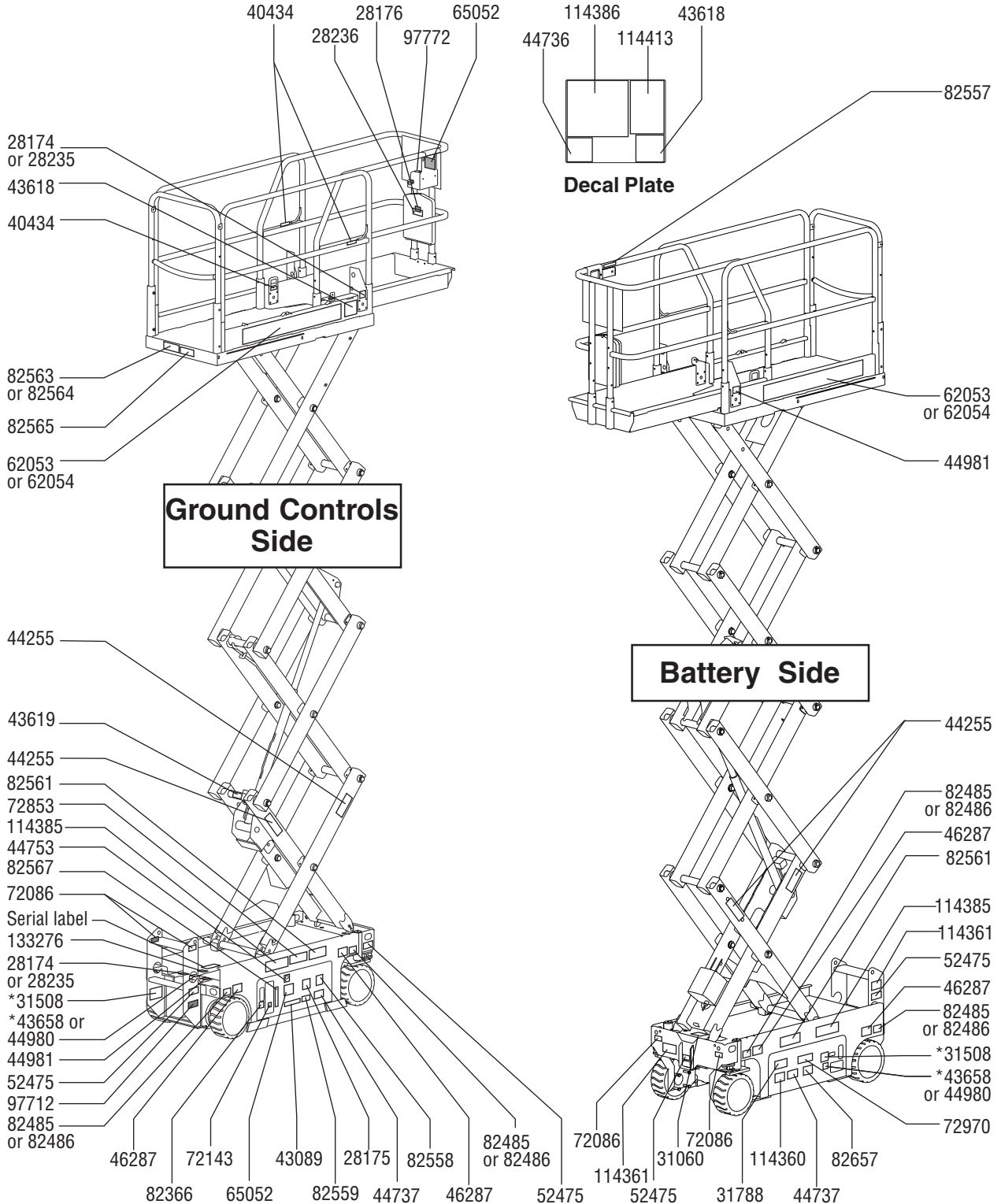
Determine whether the decals on your machine have words or symbols. Use the appropriate inspection to verify that all decals are legible and in place.

Part No.	Description	Quantity
28174	Label - Power to Platform, 230V	2
28175	Warning - Compartment Access	1
28176	Label - Missing Manuals	1
28235	Label - Power to Platform, 115V	2
28236	Warning - Improper Operation	1
31060	Danger - Tip Over Hazard, Limit Switch	1
*31508	Danger - Electrocution Hazard	1
31788	Danger - Battery Safety	1
40434	Label - Lanyard Anchorage	3
43089	Instructions - Operation, Ground Control	1
43093	Label - Tire Specification	4
43618	Label - Directional Arrows	2
43619	Label - Safety Arm	1
*43658	Label - Power to Charger, 230V	1
44255	Danger - Crushing Hazard	4
44736	Danger - Tip-over Hazard, Tilt Alarm	1
44737	Danger - Tip-over Hazard, Trays Open	2
44753	Label - LED Diagnostic Readout	1
*44980	Label - Power to Charger, 115V	1
44981	Label - Air Line to Platform, 110 PSI	2
52475	Label - Transport Tie-down	5
62053	Cosmetic - Genie GS-1530	2
62054	Cosmetic - Genie GS-1930	2
65052	Label - ECM Fault Codes	2
72086	Label - Lifting Eye	4
72143	Label - Emergency Stop	1

Part No.	Description	Quantity
72853	Danger - Improper Use Hazard	1
72970	Instructions - Battery Charger Operation	1
82366	Label - Chevron Rykon	1
82485	Label - Wheel Load, GS-1530	4
82486	Label - Wheel Load, GS-1930	4
82557	Label - Platform Controls Location	1
82558	Warning - Skin Injection Hazard	1
82559	Instructions - Annual Inspection	1
82561	Danger - Crushing Hazard	2
82563	Instructions - Max Cap, 500 lbs / 227 kg, GS-1930	1
82564	Instructions - Max Cap, 600 lbs / 272 kg, GS-1530	1
82565	Instructions - Maximum Side Force	1
82567	Ground Control Panel	1
82657	Instructions - Battery Connection Diagram	1
97712	Danger/Instructions - Brake Release Safety and Operation	1
97772	Platform Control Panel	1
114360	Danger - Tip-over Hazard, Batteries	1
114361	Label - Transport Diagram	2
114385	Danger - Electrocution Hazard	2
114386	Danger - General Safety Rules	1
114413	Instructions - Operation, Platform Control	1
133276	Label - Emergency Lowering	1

*Note: These decals will be found in one of two places.

Inspections



Inspections

Inspection for Decals with Words GS-2032, GS-2632 and GS-3232

Determine whether the decals on your machine have words or symbols. Use the appropriate inspection to verify that all decals are legible and in place.

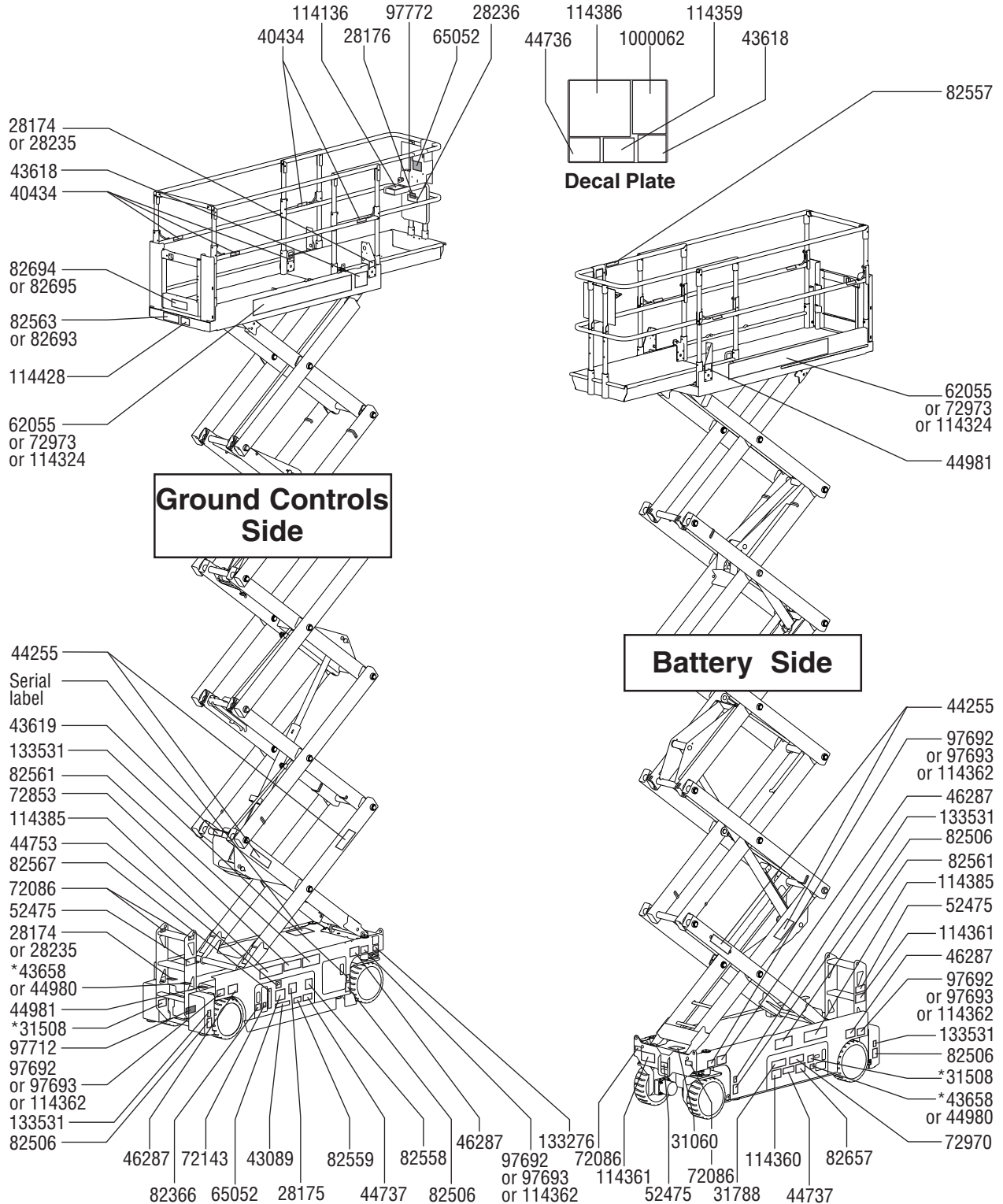
Part No.	Description	Quantity
28174	Label - Power to Platform, 230V	2
28175	Warning - Compartment Access	1
28176	Label - Missing Manuals	1
28235	Label - Power to Platform, 115V	2
28236	Warning - Improper Operation	1
31060	Danger - Tip-over Hazard, Limit Switch	1
*31508	Danger - Power to Battery Charger	1
31788	Danger - Battery Safety	1
40434	Label - Lanyard Anchorage	5
43089	Instructions - Operation, Ground Control	1
43618	Label - Directional Arrows	2
43619	Label - Safety Arm	1
*43658	Label - Power to Charger, 230V	1
44255	Danger - Crushing Hazard	4
44736	Danger - Tip-over Hazard, Tilt Alarm	1
44737	Danger - Tip-over Hazard, Trays Open	2
44753	Label - LED Diagnostic Readout	1
*44980	Label - Power to Charger, 115V	1
44981	Label - Air to Platform, 110 PSI	2
46287	Notice - Tire Specification	4
52475	Label - Transport Tie-down	5
62055	Cosmetic - Genie GS-2032	2
65052	Label - ECM Fault Codes	2
72086	Label - Lifting Eye	4
72143	Label - Emergency Stop	1
72853	Danger - Improper Use Hazard	1
72970	Instructions - Battery Charger Operation	1
72973	Cosmetic - Genie GS-2632	2
82366	Label - Chevron Rykon	1
82506	Danger - Foot Crushing Hazard	4

Part No.	Description	Quantity
82557	Label - Platform Controls Location	1
82558	Warning - Skin Injection Hazard	1
82559	Instructions - Annual Inspection	1
82561	Danger - Crushing Hazard	2
82563	Instructions - Max Cap, 500 lbs / 227 kg, GS-2632 and GS-3232	1
82567	Ground Control Panel	1
82657	Instructions - Battery Connection Diagram	1
82693	Instructions - Max Cap, 800 lbs / 363 kg, GS-2032	1
82694	Instructions - Maximum Side Force, GS-2032	1
82695	Instructions - Maximum Side Force, GS-2632 and GS-3232	1
97692	Label - Wheel Load, GS-2032	4
97693	Label - Wheel Load, GS-2632	4
97712	Danger/Instructions - Brake Release Safety and Operation	1
97772	Platform Control Panel	1
114136	Outrigger Control Panel, GS-3232	1
114324	Cosmetic - Genie GS-3232	2
114359	Danger - Tip over Hazard, Outriggers	1
114360	Danger - Tip-over Hazard, Batteries	1
114361	Label - Transport Diagram	2
114362	Label - Wheel Load, GS-3232	4
114385	Danger - Electrocution Hazard	2
114386	Danger - General Safety Rules	1
114428	Instructions - Maximum Travel Height	1
133276	Label - Emergency Lowering	1
133531	Label - Outrigger Load, GS-3232	4
1000062	Instructions - Operation, Platform Control	1

*Note: These decals will be found in one of two places.



Inspections



Inspections

Inspection for Decals with Words GS-2046, GS-2646 and GS-3246

Determine whether the decals on your machine have words or symbols. Use the appropriate inspection to verify that all decals are legible and in place.

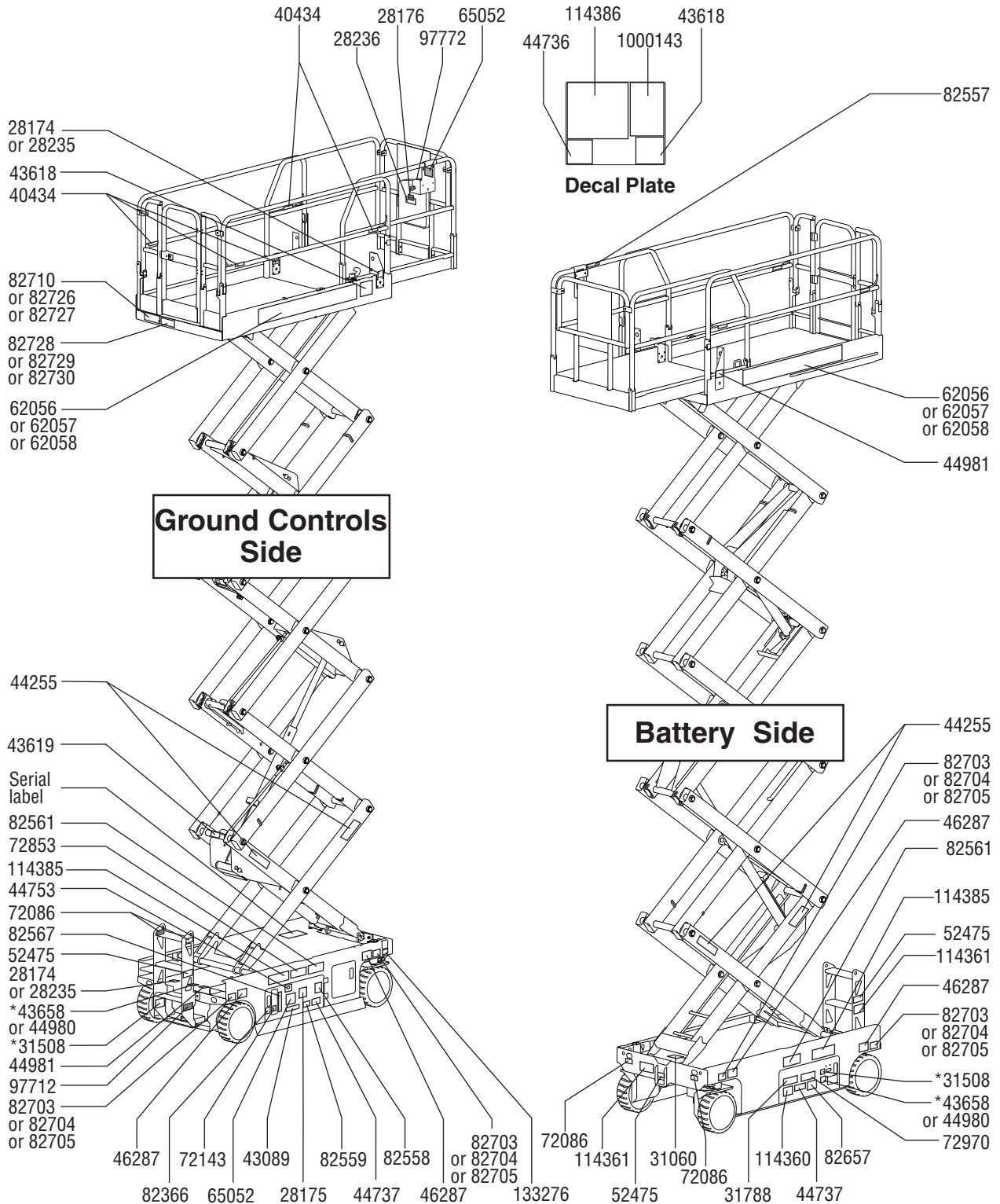
Part No.	Description	Quantity
28174	Label - Power to Platform, 230V	2
28175	Warning - Compartment Access	1
28176	Label - Missing Manuals	1
28235	Label - Power to Platform, 115V	2
28236	Warning - Improper Operation	1
31060	Danger - Tip-over Hazard, Limit Switch	1
*31508	Danger - Electrocutation Hazard	1
31788	Danger - Battery Safety	1
40434	Label - Lanyard Anchorage	5
43089	Instructions - Operation, Ground Control	1
43618	Label - Directional Arrows	2
43619	Label - Safety Arm	1
*43658	Label - Power to Charger, 230V	1
44255	Danger - Crushing Hazard	4
44736	Danger - Tip-over, Tilt Alarm	1
44737	Danger - Tip-over, Trays Open	2
44753	Label - LED Diagnostic Readout	1
*44980	Label - Power to Charger, 115V	1
44981	Label - Air Line to Platform, 110 PSI	2
46287	Notice - Tire Specification	4
52475	Label - Transport Tie-down	5
62056	Cosmetic - Genie GS-2046	2
62057	Cosmetic - Genie GS-2646	2
62058	Cosmetic - Genie GS-3246	2
65052	Label - ECM Fault Codes	2
72086	Label - Lifting Eye	4
72143	Label - Emergency Stop	1
72853	Danger - Improper Use Hazard	1
72970	Instructions - Battery Charger Operation	1
82366	Label - Chevron Rykon	1

Part No.	Description	Quantity
82557	Label - Platform Controls Location	1
82558	Warning - Skin Injection Hazard	1
82559	Instructions - Annual Inspection	1
82561	Danger - Crushing Hazard	2
82567	Ground Control Panel	1
82657	Instructions - Battery Connection Diagram	1
82703	Label - Wheel Load, GS-2046	4
82704	Label - Wheel Load, GS-2646	4
82705	Label - Wheel Load, GS-3246	4
82710	Instructions - Max Cap, 1200 lbs / 544 kg, GS-2046	1
82726	Instructions - Max Cap, 1000 lbs / 454 kg, GS-2646	1
82727	Instructions - Max Cap, 700 lbs / 318 kg, GS-3246	1
82728	Instructions - Maximum Side Force, GS-2046	1
82729	Instructions - Maximum Side Force, GS-2646	1
82730	Instructions - Maximum Side Force, GS-3246	1
97712	Danger/Instructions - Brake Release Safety and Operation	1
97772	Platform Control Panel	1
114360	Danger - Tip-over Hazard, Batteries	1
114361	Label - Transport Diagram	2
114385	Danger - Electrocutation Hazard	2
114386	Danger - General Safety Rules	1
133276	Label - Emergency Lowering	1
1000143	Instructions - Operation, Platform Control	1

*Note: These decals will be found in one of two places.



Inspections



Inspections

Inspection for Decals with Symbols GS-1530 and GS-1930

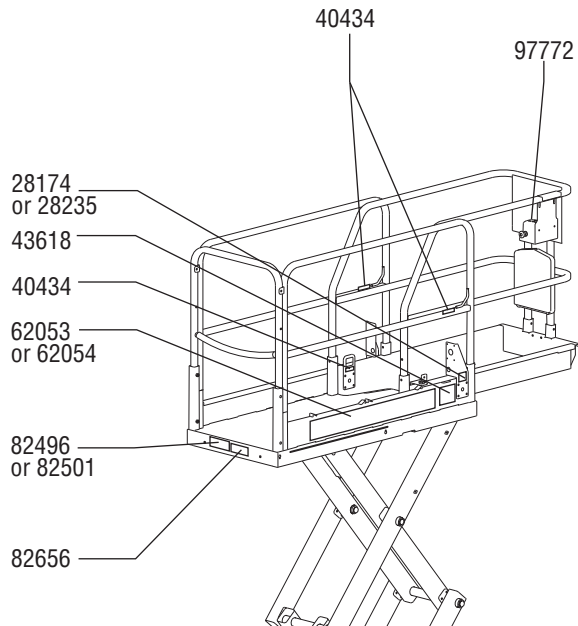
Determine whether the decals on your machine have words or symbols. Use the appropriate inspection to verify that all decals are legible and in place.

Part No.	Description	Quantity
28174	Label - Power to Platform, 230V	2
28235	Label - Power to Platform, 115V	2
40434	Label - Lanyard Anchorage	5
43618	Label - Directional Arrows	2
*43658	Label - Power to Charger, 230V	1
*44980	Label - Power to Charger, 115V	1
44981	Label - Air to Platform, 110 PSI	2
52475	Label - Transport Tie-down	5
62053	Cosmetic - Genie GS-1530	2
62054	Cosmetic - Genie GS-1930	2
72086	Label - Lifting Eye	4
72143	Label - Emergency Stop	1
82473	Danger - Compartment Access	1
82474	Danger - Safety Chock	2
82476	Danger - Electrocutation Hazard	2
82481	Danger - Battery/Charger Safety	1
82482	Label - Emergency Lowering	1
82485	Label - Wheel Load, GS-1530	4
82486	Label - Wheel Load, GS-1930	4
82487	Label - Read the Manual	2

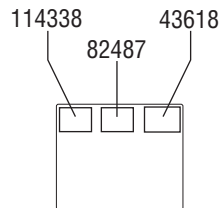
Part No.	Description	Quantity
82495	Danger - Brake Release Safety and Operating Instructions	2
82496	Danger - Maximum Capacity, 227 kg, GS-1930	1
82501	Danger - Maximum Capacity, 272 kg, GS-1530	1
82502	Label - LED Diagnostic Readout	1
82560	Danger - Skin Injection Hazard	1
82562	Danger - Crushing Hazard	4
82567	Ground Control Panel	1
82656	Danger - Side Force, 445 N	1
97719	Label - Safety Arm	1
97772	Platform Control Panel	1
*114334	Danger - Electrocutation hazard, Plug	1
114337	Danger - Tip-over Hazard, Limit Switch	1
114338	Danger - Tip-over Hazard, Tilt Alarm	1
114361	Label - Transport Diagram	2
114370	Danger - Tip-over Hazard, Batteries	1
114372	Danger - Tip-over Hazard, Open Trays	2

*Note: These decals will be found in one of two places.

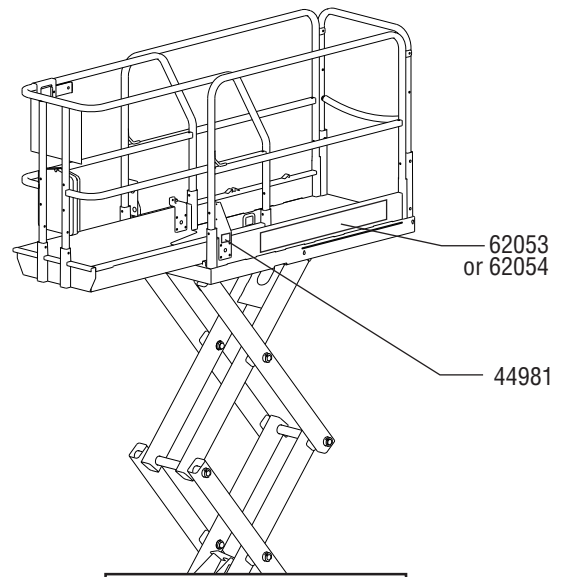
Inspections



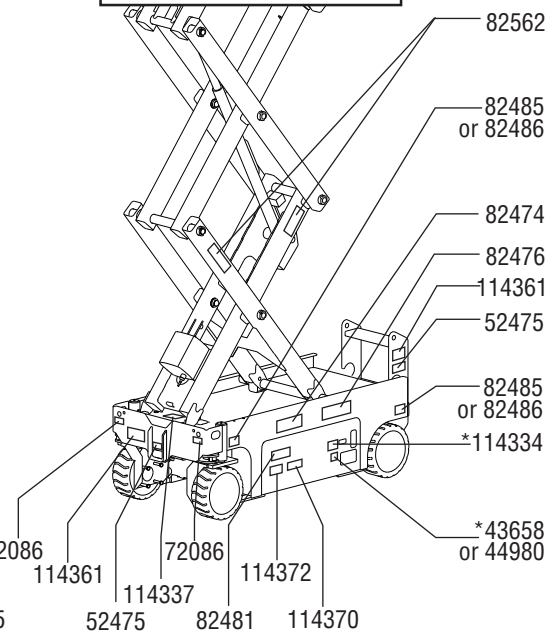
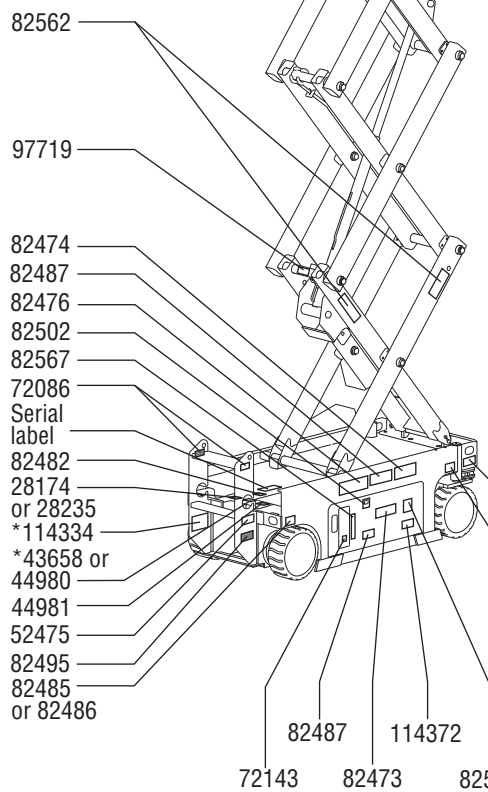
Ground Controls Side



Decal Plate



Battery Side



Inspections

Inspection for Decals with Symbols GS-2032, GS-2632 and GS-3232

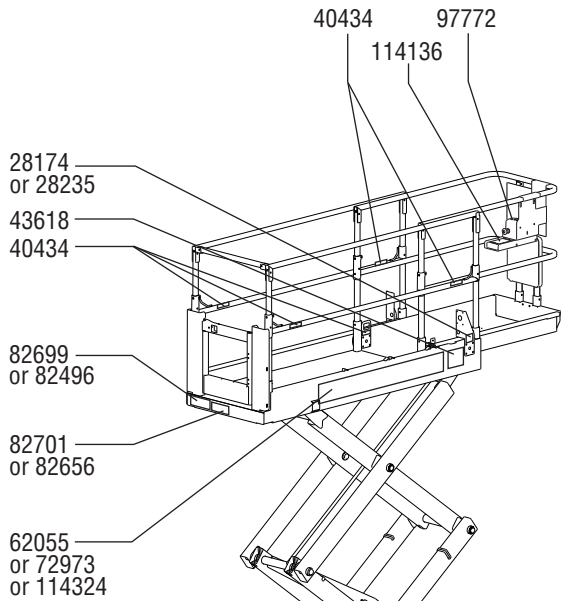
Determine whether the decals on your machine have words or symbols. Use the appropriate inspection to verify that all decals are legible and in place.

Part No.	Description	Quantity
28174	Label - Power to Platform, 230V	2
28235	Label - Power to Platform, 115V	2
40434	Label - Lanyard Anchorage	5
43618	Label - Directional Arrows	2
*43658	Label - Power to Charger, 230V	1
*44980	Label - Power to Charger, 115V	1
44981	Label - Air to Platform, 110 PSI	2
52475	Label - Transport Tie-down	5
62055	Cosmetic - Genie GS-2032	2
72086	Label - Lifting Eye	4
72143	Label - Emergency Stop	1
72973	Cosmetic - Genie GS-2632	2
82473	Danger - Compartment Access	1
82474	Danger - Safety Chock	2
82475	Danger - Foot Crushing Hazard	4
82476	Danger - Electrocutation Hazard	2
82481	Danger - Battery/Charger Safety	1
82482	Label - Emergency Lowering	1
82487	Label - Read the Manual	2
82495	Danger - Brake Release Safety and Operating Instructions	2
82496	Danger - Maximum Capacity, 227 kg, GS-2632 and GS-3232	1
82502	Label - LED Diagnostic Readout	1

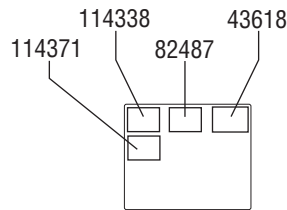
Part No.	Description	Quantity
82560	Danger - Skin Injection Hazard	1
82562	Danger - Crushing Hazard	4
82567	Ground Control Panel	1
82656	Danger - Side Force, 445 N, GS-2632 and GS-3232	1
82699	Danger - Maximum Capacity, 363 kg, GS-2032	1
82701	Danger - Side Force, 534 N, GS-2032	1
97692	Label - Wheel Load, GS-2032	4
97693	Label - Wheel Load, GS-2632	4
97719	Label - Safety Arm	1
97772	Platform Control Panel	1
114136	Outrigger Control Panel	1
*114334	Danger - Electrocutation hazard, Plug	1
114337	Danger - Tip-over Hazard, Limit Switch	1
114338	Danger - Tip-over Hazard, Tilt Alarm	1
114361	Label - Transport Diagram	2
114362	Label - Wheel Load, GS-3232	4
114364	Cosmetic - Genie GS-3232	2
114370	Danger - Tip-over Hazard, Batteries	1
114371	Danger - Outrigger Safety	1
114372	Danger - Tip-over Hazard, Open Trays	2
133531	Label - Outrigger Load, GS-3232	4

*Note: These decals will be found in one of two places.

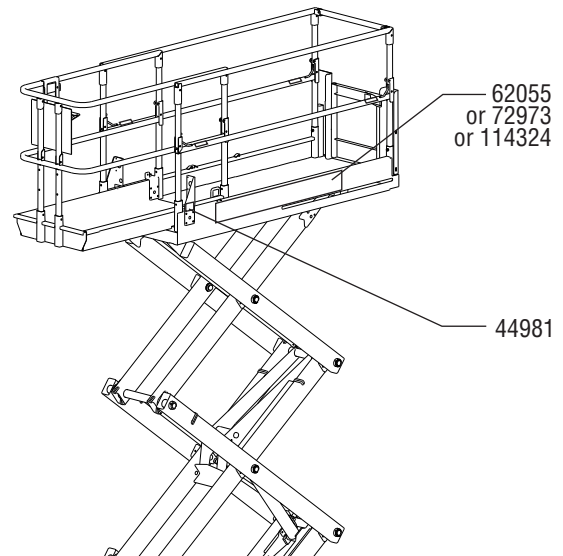
Inspections



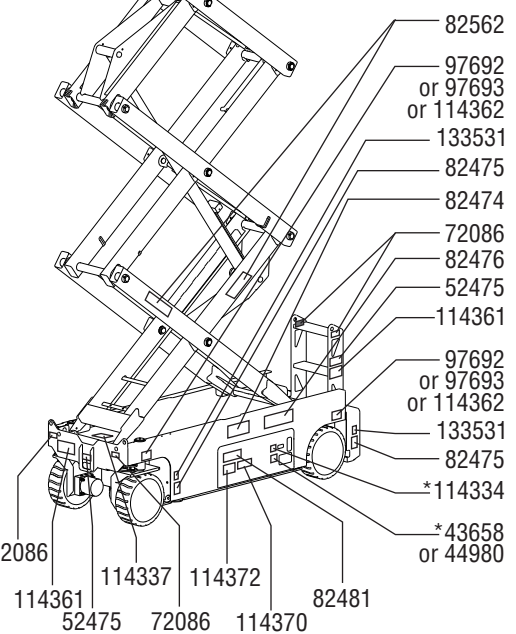
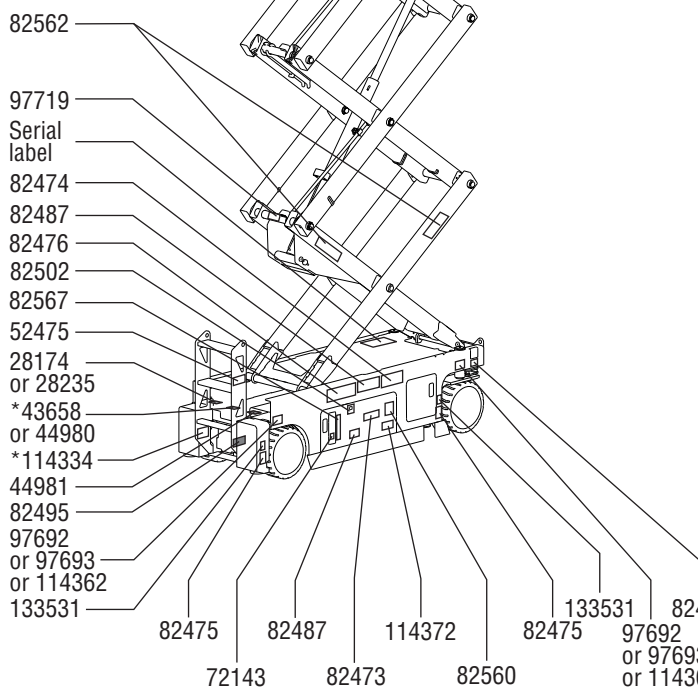
Ground Controls Side



Decal Plate



Battery Side



Inspections

Inspection for Decals with Symbols GS-2046, GS-2646 and GS-3246

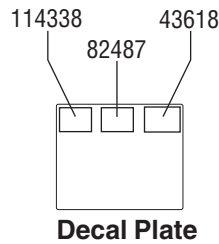
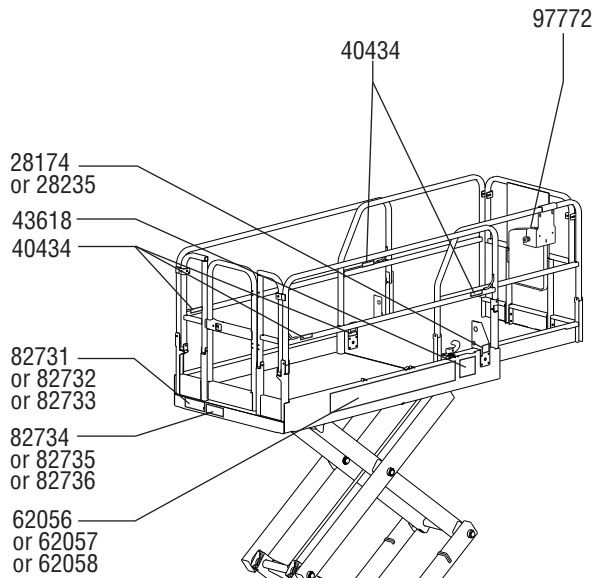
Determine whether the decals on your machine have words or symbols. Use the appropriate inspection to verify that all decals are legible and in place.

Part No.	Description	Quantity
28174	Label - Power to Platform, 230V	2
28235	Label - Power to Platform, 115V	2
40434	Label - Lanyard Anchorage	5
43618	Label - Directional Arrows	2
*43658	Label - Power to Charger, 230V	1
*44980	Label - Power to Charger, 115V	1
44981	Label - Air to Platform, 110 PSI	2
52475	Label - Transport Tie-down	5
62056	Cosmetic - Genie GS-2046	2
62057	Cosmetic - Genie GS-2646	2
62058	Cosmetic - Genie GS-3246	2
72086	Label - Lifting Eye	4
72143	Label - Emergency Stop	1
82473	Danger - Compartment Access	1
82474	Danger - Safety Chock	2
82476	Danger - Electrocutation Hazard	2
82481	Danger - Battery/Charger Safety	1
82482	Label - Emergency Lowering	1
82487	Label - Read the Manual	2
82495	Danger - Brake Release Safety & Operating Instructions	1
82502	Label - LED Diagnostic Readout	1
82560	Danger - Skin Injection Hazard	1

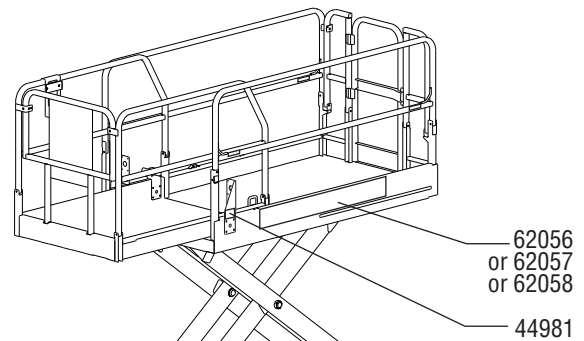
Part No.	Description	Quantity
82562	Danger - Crushing Hazard	4
82567	Ground Control Panel	1
82703	Label - Wheel Load, GS-2046	4
82704	Label - Wheel Load, GS-2646	4
82705	Label - Wheel Load, GS-3246	4
82731	Danger - Maximum Capacity, 544 kg, GS-2046	1
82732	Danger - Maximum Capacity, 454 kg, GS-2646	1
82733	Danger - Maximum Capacity, 318 kg, GS-3246	1
82734	Danger - Side Force, 890 N, GS-2046	1
82735	Danger - Side Force, 667 N, GS-2646	1
82736	Danger - Side Force, 467 N, GS-3246	1
97719	Label - Safety Arm	1
97772	Platform Control Panel	1
*114334	Danger - Electrocutation hazard, Plug	1
114337	Danger - Tip-over Hazard, Limit Switch	1
114338	Danger - Tip-over Hazard, Tilt Alarm	1
114361	Label - Transport Diagram	2
114370	Danger - Tip-over Hazard, Batteries	1
114372	Danger - Tip-over Hazard, Open Trays	2

*Note: These decals will be found in one of two places.

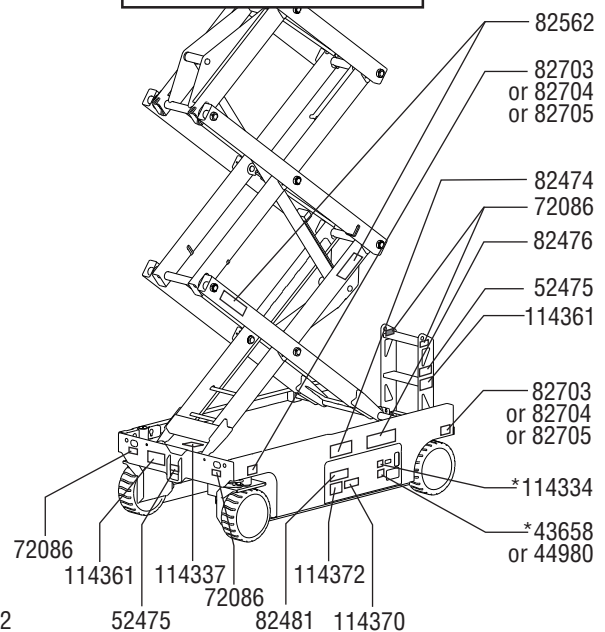
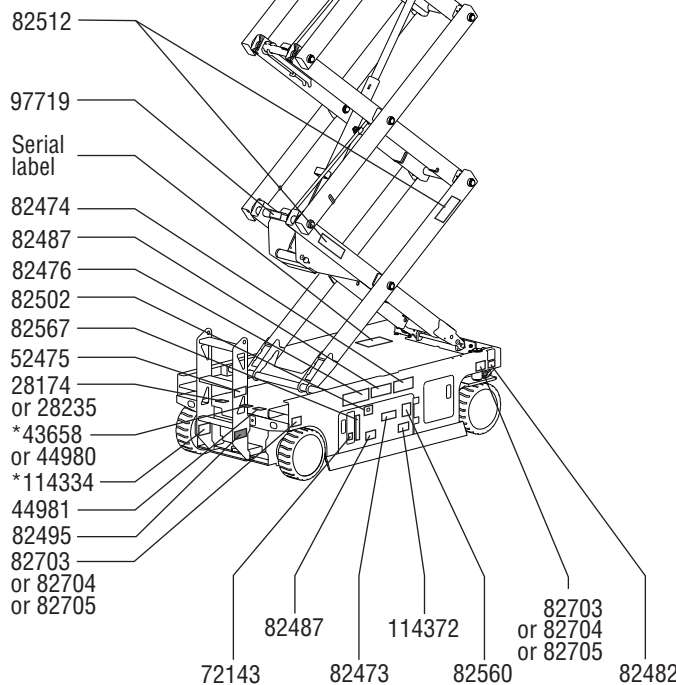
Inspections



Ground Controls Side



Battery Side



Operating Instructions



Do Not Operate Unless:

- ☑ You learn and practice the principles of safe machine operation contained in this operator's manual.
 - 1 Avoid hazardous situations.
 - 2 Always perform a pre-operation inspection.
 - 3 Always perform function tests prior to use.
 - 4 Inspect the workplace.
 - 5 **Only use the machine as it was intended.**

Fundamentals

The Operating Instructions section provides instructions for each aspect of machine operation. It is the operator's responsibility to follow all the safety rules and instructions in the operator's, safety and responsibilities manuals.

Using the machine for anything other than lifting personnel, along with their tools and materials, to an aerial work site is unsafe and dangerous.

Only trained and authorized personnel should be permitted to operate a machine. If more than one operator is expected to use a machine at different times in the same work shift, they must all be qualified operators and are all expected to follow all safety rules and instructions in the operator's, safety and responsibilities manuals. That means every new operator should perform a pre-operation inspection, function tests, and a workplace inspection before using the machine.

Operating Instructions

Emergency Stop

Push in the red Emergency Stop button to the off position at the ground controls or the platform controls to stop all functions.

Repair any function that operates when either Emergency Stop button is pushed in.

Emergency Lowering

- 1 Pull the emergency lowering knob.

Operation From Ground

- 1 Turn the key switch to ground control.
- 2 Pull out the platform and ground red Emergency Stop buttons to the on position.
- 3 Be sure the battery pack is connected before operating the machine.

To Position Platform

- 1 Move the up/down toggle switch according to the markings on the control panel.

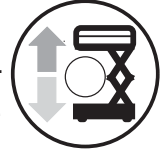
Drive and steer functions are not available from the ground controls.

Operation From Platform

- 1 Turn the key switch to platform control.
- 2 Pull out the ground and platform red Emergency Stop buttons to the on position.
- 3 Be sure the battery pack is connected before operating the machine.

To Position Platform

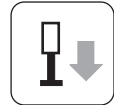
- 1 Press the lift function select button.
- 2 Press and hold the function enable switch on the control handle.
- 3 Move the control handle according to the markings on the control panel.



To Position Outriggers (GS-3232 models)

To extend the outriggers:

- 1 Press and hold the function enable button.
- 2 Press and hold the outrigger extend button.



The outriggers will begin to extend. The individual outrigger indicator light will turn solid green as the corresponding outrigger makes contact with the ground. Continue pressing the function enable and the outrigger extend buttons until the lift enable indicator light turns green and a beep is heard. The machine is now level.

When the lift error indicator light turns red, the up/down and drive functions are disabled. The lift error indicator light will turn red under the following conditions.

- The platform is raised to 22 ft / 6.7 m and the outriggers are not deployed.
- Not all outriggers are in contact with the ground.
- All four outriggers are in contact with the ground but the machine is not level.
- Error code.

Operating Instructions

To retract the outriggers:

- 1 Press and hold the function enable button.
- 2 Press and hold the outrigger retract button.

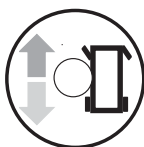


Release the function enable and the outrigger retract buttons once the outriggers are off the ground. After approximately 5 seconds, the outrigger indicator lights will turn off. All functions are now restored.

Note: The machine drive speeds are reduced the first time the drive function is enabled after retracting the outriggers. The drive speeds are restored to normal after driving for approximately 6 seconds.

To Steer

- 1 Press the drive function select button.
- 2 Press and hold the function enable switch on the control handle.
- 3 Turn the steer wheels with the thumb rocker switch located on the top of the control handle.



To Drive

- 1 Press the drive function select button.
- 2 Press and hold the function enable switch on the control handle.
- 3 Increase speed: Slowly move the control handle off center.

Decrease speed: Slowly move the control handle toward center.

Stop: Return the control handle to center or release the function enable switch.

Use the color-coded direction arrows on the platform controls and on the platform to identify the direction the machine will travel.

Machine travel speed is restricted when the platform is raised.

Battery condition will affect machine performance. Machine drive speed and function speed will drop when the battery level indicator is flashing.

To reduce drive speed

The drive controls can operate in two different drive speed modes. When the drive speed button light is on, slow drive speed mode is active. When the button light is off, fast drive speed mode is active.

Press the drive speed button to select the desired drive speed.

⚠ Driving on a slope

Determine the slope and side slope ratings for the machine and determine the slope grade.



GS-1530, GS-1930, GS-2032, GS-2046 and GS-2646

Maximum slope rating, stowed 30% (17°)



Maximum side slope rating, stowed 30% (17°)



GS-2632, GS-3232 and GS-3246

Maximum slope rating, stowed 25% (14°)



Maximum side slope rating, stowed 25% (14°)

Note: Slope rating is subject to ground conditions and adequate traction.

Press the drive speed button to the fast drive speed mode.

Operating Instructions

To determine the slope grade:

Measure the slope with a digital inclinometer OR use the following procedure.

You will need:

- carpenter's level
- straight piece of wood, at least 3 feet / 1 m long
- tape measure

Lay the piece of wood on the slope.

At the downhill end, lay the level on the top edge of the piece of wood and lift the end until the piece of wood is level.

While holding the piece of wood level, measure the distance from the bottom of the piece of wood to the ground.

Divide the tape measure distance (rise) by the length of the piece of wood (run) and multiply by 100.

Example:



Run = 12 ft (144 in) / 3.6 m

Rise = 12 in / 0.3 m

$12 \text{ in} \div 144 \text{ in} = 0.083 \times 100 = 8.3\%$

$0.3 \text{ m} \div 3.6 \text{ m} = 0.083 \times 100 = 8.3\%$

If the slope exceeds the maximum slope or side slope rating, the machine must be winched or transported up or down the slope. See Transport and Lifting section.

Error indicator readout



If the LED diagnostic readout displays an error code, such as LL, push in and pull out the red Emergency Stop button to reset the system.

ECM Fault Codes

Code	Condition
--	Condition Normal
01	Internal ECM Error
02	ECM/Platform Communication Error
03	Undefined Platform Dip Switch Setting
12	Chassis Up/Down Toggle Closed At Startup
18	Pothole Guard Failure
42	Platform Left Turn Switch Fault
43	Platform Right Turn Switch Fault
46	Platform Drive Enable Switch Fault
47	Platform Joystick Fault
52	Forward Coil Fault
53	Reverse Coil Fault
54	Up Coil Fault
55	Down Coil Fault
56	Right Coil Fault
57	Left Coil Fault
58	Brake Coil Fault
59	Parallel/Series Coil Fault
68	Low Battery Voltage
LL	Off-Level
OL	Overload Cutout Option

For more information, please consult the appropriate Genie Service Manual.

Operating Instructions

Operation From Ground with Controller

Maintain safe distances between the operator, machine and fixed objects.

Be aware of the direction the machine will travel when using the controller.

Battery Level Indicator



Use the LED diagnostic readout to determine the battery level.

How to use the Safety Arm

- 1 Raise the platform approximately 8 ft / 2.4 m from the ground.
- 2 Rotate the safety arm away from the machine and let it hang down.
- 3 Lower the platform until the safety arm rests securely on the link. Keep clear of the safety arm when lowering the platform.

How to Fold Down the Guardrails

GS-1530, GS-1930, GS-2032, GS-2632 and GS-3232

The platform railing system consists of one fold down rail section for the extension deck and one section for the main deck. All sections are held in place by four wire lock pins.

- 1 Fully lower the platform and retract the platform extension.
- 2 Remove the platform controls.
- 3 From inside the platform, remove the two rear extension deck wire lock pins.
- 4 From the rear of the extension deck railing, fold down the front rail assemble. Keep hands free of pinch points.
- 5 Replace the two removed pins back into each side rail bracket.
- 6 At the rear of the main deck, remove the two lower wire lock pins.
- 7 Carefully open the gate and move to the rear step or the ground.
- 8 From the rear step or from the ground, fold down the main deck railing assembly. Keep hands free of pinch points.
- 9 Replace the two removed pins back into each side rail bracket.

Note: To assist in the removal and replacement of the wire lock pins, pull or push back on the railing to compress the rubber bumpers.

Operating Instructions

GS-2046, GS-2646 and GS-3246

The platform railing system consists of three fold down rail sections for the extension deck and three sections for the main deck. All six sections are held in place by four wire lock pins.

- 1 Fully lower the platform and retract the platform extension.
- 2 Remove the platform controls.
- 3 From inside the platform, remove the two front wire lock pins.
- 4 Fold down the front rail assembly. Keep hands clear of pinch points.
- 5 Replace the two removed pins back into each side rail bracket.
- 6 Fold down each side rail assembly. Keep hands clear of pinch points.
- 7 At the rear of the main deck, remove the two wire lock pins.
- 8 Carefully open the gate and move to the ground.
- 9 Fold down the rear gate and entry side rails as one unit. Keep hands clear of pinch points.
- 10 Fold down the left and right side rails. Keep hands clear of pinch points.
- 11 Replace the two removed pins back into each side rail bracket.

How to Raise the Guardrails

Follow the fold down instructions but in reverse order.

Operating Instructions



Battery and Charger Instructions

Observe and Obey:

- Do not use an external charger or booster battery.
- Charge the battery in a well-ventilated area.
- Use proper AC input voltage for charging as indicated on the charger.
- Use only a Genie authorized battery and charger.

To Charge Battery

- 1 Be sure the batteries are connected before charging the batteries.
- 2 Open the battery compartment. The compartment should remain open for the entire charging cycle.

Maintenance - free batteries

- 3 Connect the battery charger to a grounded AC circuit.
- 4 The charger will indicate when the battery is fully charged.

Standard Batteries

- 3 Remove the battery vent caps and check the battery acid level. If necessary, add only enough distilled water to cover the plates. Do not overfill prior to the charge cycle.
- 4 Replace the battery vent caps.
- 5 Connect the battery charger to a grounded AC circuit.
- 6 The charger will indicate when the battery is fully charged.
- 7 Check the battery acid level when the charging cycle is complete. Replenish with distilled water to the bottom of the fill tube. Do not overfill.

Dry Battery Filling and Charging Instructions

- 1 Remove the battery vent caps and permanently remove the plastic seal from the battery vent openings.
- 2 Fill each cell with battery acid (electrolyte) until the level is sufficient to cover the plates.

Do not fill to maximum level until the battery charge cycle is complete. Overfilling can cause the battery acid to overflow during charging. Neutralize battery acid spills with baking soda and water.

- 3 Install the battery vent caps.
- 4 Charge the battery.
- 5 Check the battery acid level when the charging cycle is complete. Replenish with distilled water to the bottom of the fill tube. Do not overfill.



Observe and Obey:

- ☑ Genie Industries provides this securement information as a recommendation. Drivers are solely responsible for making sure machines are properly secured and the correct trailer is selected pursuant to US Department of Transportation regulations, other localized regulations, and their company policy.
- ☑ Genie customers needing to containerize any lift or Genie product should source a qualified freight forwarder with expertise in preparing, loading and securing construction and lifting equipment for international shipment.
- ☑ Only qualified aerial lift operators should move the machine on or off the truck.
- ☑ The transport vehicle must be parked on a level surface.
- ☑ The transport vehicle must be secured to prevent rolling while the machine is being loaded.
- ☑ Be sure the vehicle capacity, loading surfaces and chains or straps are sufficient to withstand the machine weight. Genie lifts are very heavy relative to their size. See the serial label for the machine weight.
- ☑ The machine must be on a level surface or secured before releasing the brakes.
- ☑ Do not allow the rails to fall when the snap pins are removed. Maintain a firm grasp on the rails when the rails are lowered.

Transport and Lifting Instructions

- ☑ Do not drive the machine on a slope that exceeds the uphill, downhill or side slope rating. See Driving on a Slope in the Operating Instructions section.
- ☑ If the slope of the transport vehicle exceeds the maximum slope rating, the machine must be loaded and unloaded using a winch as described in the brake release operation.

Brake Release Operation



- 1 Chock the wheels to prevent the machine from rolling.
- 2 Be sure the winch line is properly secured to the drive chassis tie points and the path is clear of all obstructions.
- 3 Push in the black brake release knob to open the brake valve.
- 4 Pump the red brake release pump knob.

After the machine is loaded:

- 1 Chock the wheels to prevent the machine from rolling.
- 2 Pull out the red Emergency Stop button on both the ground and platform controls to the on position.
- 3 Press the drive function select button. Press and hold the function enable switch on the control handle. Move the control handle off center and immediately release it to reset the brakes.
- 4 Push the red Emergency stop button on both the ground and platform controls to the off position.

Towing the Genie GS-1530, GS-1930, GS-2032, GS-2632, GS-3232, GS-2046, GS-2646 and GS-3246 is not recommended. If the machine must be towed, do not exceed 2 mph / 3.2 km/h.

Transport and Lifting Instructions

▲ Securing to Truck or Trailer for Transit

Always use the extension deck lock when the machine is transported.

Turn the key switch to the off position and remove the key before transporting.

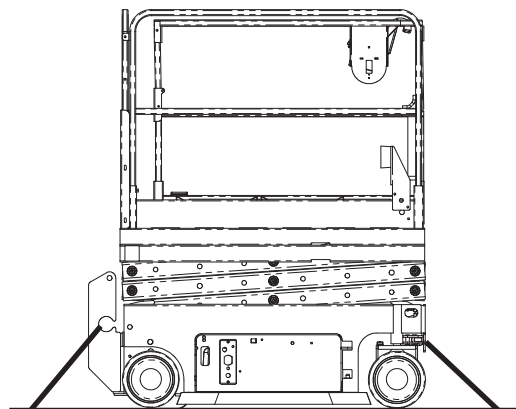
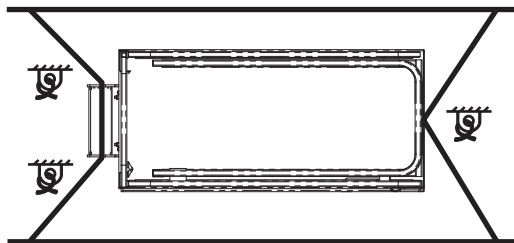
Inspect the entire machine for loose or unsecured items.

Use chains or straps of ample load capacity.

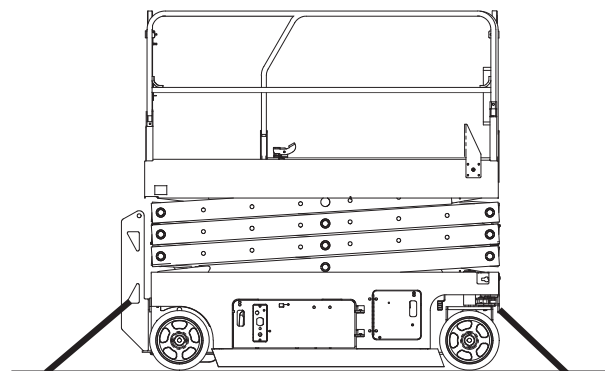
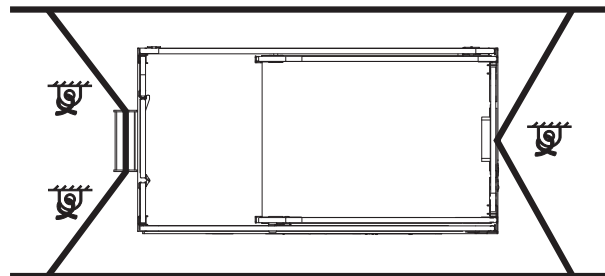
Use a minimum of 2 chains or straps.

Adjust the rigging to prevent damage to the chains.

GS-1530
GS-1930



GS-2032 GS-2046
GS-2632 GS-2646
GS-3232 GS-3246





Observe and Obey:

- ☑ Only qualified riggers should rig and lift the machine.
- ☑ Only qualified forklift operators should lift the machine with a forklift.
- ☑ Be sure the crane capacity, loading surfaces and straps or lines are sufficient to withstand the machine weight. See the serial label for the machine weight.

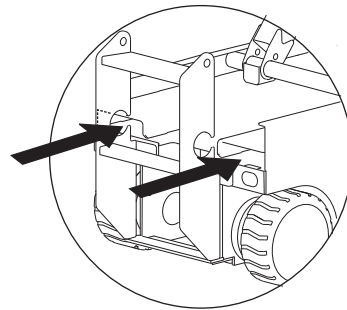
Transport and Lifting Instructions

Lifting the Machine with a Forklift

Be sure the extension deck, controls and component trays are secure. Remove all loose items on the machine.

Fully lower the platform. The platform must remain lowered during all loading and transport procedures.

Use the forklift pockets located on both sides of the ladder.



Position the forklift forks in position with the forklift pockets.

Drive forward to the full extent of the forks.

Raise the machine 6 in / 15 cm and then tilt the forks back slightly to keep the machine secure.

Be sure the machine is level when lowering the forks.

NOTICE

Lifting the machine from the side can result in component damage.

Transport and Lifting Instructions

Lifting Instructions

Fully lower the platform. Be sure the extension deck, controls and component trays are secure. Remove all loose items on the machine.

Determine the center of gravity of your machine using the table and the pictures on this page.

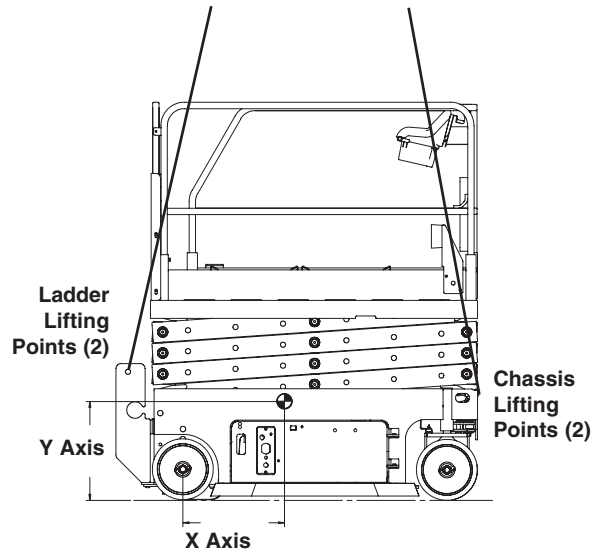
Attach the rigging only to the designated lifting points on the machine. There are two 1 inch / 2.5 cm holes on the front of the machine and two holes in the ladder for lifting.

Adjust the rigging to prevent damage to the machine and to keep the machine level.

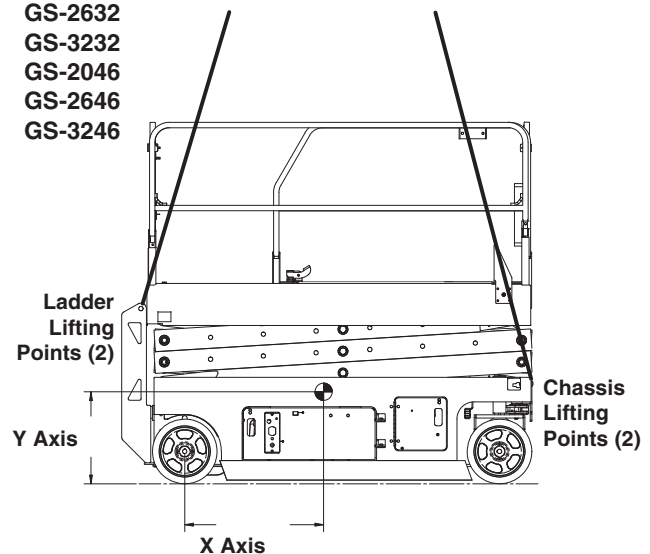
Center of Gravity Table

Model	X Axis	Y Axis
GS-1530	25.7 in 65.3 cm	21.1 in 59.6 cm
GS-1930	25.5 in 64.8 cm	22.1 in 56.1 cm
GS-2032	35.6 in 90.5 cm	22.2 in 56.5 cm
GS-2632	31.7 in 80.6 cm	22.7 in 57.6 cm
GS-3232	31 in 78.7 cm	26.5 in 67.3 cm
GS-2046	35.2 in 89.4 cm	23.6 in 59.9 cm
GS-2646	35.0 in 88.9 cm	25.4 in 64.4 cm
GS-3246	32.7 in 83.0 cm	26.8 in 68.2 cm

**GS-1530
GS-1930**



**GS-2032
GS-2632
GS-3232
GS-2046
GS-2646
GS-3246**



Maintenance



Observe and Obey:

- ☑ Only routine maintenance items specified in this manual shall be performed by the operator.
- ☑ Scheduled maintenance inspections shall be completed by qualified service technicians, according to the manufacturer's specifications and the requirements specified in the responsibilities manual.
- ☑ Use only Genie approved replacement parts.

Maintenance Symbols Legend

The following symbols have been used in this manual to help communicate the intent of the instructions. When one or more of the symbols appear at the beginning of a maintenance procedure, it conveys the meaning below.



Indicates that tools will be required to perform this procedure.



Indicates that new parts will be required to perform this procedure.

Check the Hydraulic Oil Level



Maintaining the hydraulic oil at the proper levels is essential to machine operation. Improper hydraulic oil levels can damage hydraulic components. Daily checks allow the inspector to identify changes in oil level that might indicate the presence of hydraulic system problems.

Note: Perform this procedure with the platform in the stowed position.

- 1 Visually inspect the oil level in the hydraulic tank.
- ⦿ Result: The hydraulic oil level should be as marked on the tank.
- 2 Add oil if necessary. Do not overfill.

Hydraulic oil specifications

Hydraulic oil type	Chevron Rykon Premium MV equivalent
--------------------	--

Maintenance

Check the Batteries



Proper battery condition is essential to good machine performance and operational safety. Improper fluid levels or damaged cables and connections can result in component damage and hazardous conditions.

Note: This procedure does not need to be performed on machines with sealed or maintenance - free batteries.

⚠ Electrocutation hazard. Contact with hot or live circuits may result in death or serious injury. Remove all rings, watches and other jewelry.

⚠ Bodily injury hazard. Batteries contain acid. Avoid spilling or contacting battery acid. Neutralize battery acid spills with baking soda and water.

Note: Perform this test after fully charging the batteries.

- 1 Put on protective clothing and eye wear.
- 2 Be sure that the battery cable connections are tight and free of corrosion.
- 3 Be sure that the battery hold-down bars are in place and secure.
- 4 Remove the battery vent caps.
- 5 Check the battery acid level of each battery. If needed, replenish with distilled water to the bottom of the battery fill tube. Do not overfill.
- 6 Install the vent caps.

Note: Adding terminal protectors and a corrosion preventative sealant will help eliminate the corrosion on the battery terminals and cables.

Scheduled Maintenance

Maintenance performed quarterly, annually and every two years must be completed by a person trained and qualified to perform maintenance on this machine according to the procedures found in the service manual for this machine.

Machines that have been out of service for more than three months must receive the quarterly inspection before they are put back into service.

Specifications

Model	GS-1530	
Height, working maximum	21 ft	6.4 m
Height, platform maximum	15 ft	4.6 m
Height, stowed maximum fixed rail	77 in	1.96 m
Height, stowed maximum rails up	82 in	2.07 m
Height, stowed maximum rails folded	68 in	1.72 m
Platform height, stowed maximum	38.2 in	97 cm
Height, guard rails	39 in	99 cm
Width	30 in	76 cm
Length, stowed	72 in	1.83 m
Length, platform extended	107 in	2.72 m
Platform extension length	35 in	88.9 cm
Platform dimensions, (length x width)	64 x 29 in	1.6 m x 75 cm
Maximum load capacity	600 lbs	272 kg
Maximum wind speed	28 mph	12.5 m/s
Wheelbase	52 in	1.32 m
Turning radius (outside)	61 in	1.55 m
Turning radius (inside)	0 in	0 cm
Ground clearance	2.4 in	6.1 cm
Ground clearance Pothole guards deployed	0.8 in	1.9 cm
Weight	2594 lbs	1177 kg
(Machine weights vary with option configurations. See serial label for specific machine weight.)		

Power source	4 Batteries, 6V 225AH	
System voltage	24V	
Controls	Proportional	
AC outlet in platform	standard	
Maximum hydraulic pressure (functions)	3500 psi	241 bar
Tire size	12 x 4.5 x 8 in	
Airborne noise emissions Maximum sound level at normal operating workstations (A-weighted)	<70 dB	
Vibration value does not exceed 2.5 m/s ²		

Maximum slope rating, stowed position 30% (17°)

Maximum side slope rating, stowed position 30% (17°)

Note: Slope rating is subject to ground conditions and adequate traction.

Drive speeds

Stowed, maximum	2.5 mph	4.0 km/h
Platform raised, maximum	0.5 mph 40 ft/55 sec	0.8 km/h 12.5 m/55 sec

Floor loading information

Tire load, maximum	1175 lbs	533 kg
Tire contact pressure	131 psi	9.19 kg/cm ² 900 kPa
Occupied floor pressure	238 psf	1162 kg/m ² 11.40 kPa

Note: Floor loading information is approximate and does not incorporate different option configurations. It should be used only with adequate safety factors.

Continuous improvement of our products is a Genie policy. Product specifications are subject to change without notice or obligation.



Specifications

Model	GS-1930	
Height, working maximum	25 ft	7.6 m
Height, platform maximum	19 ft	5.8 m
Height, stowed maximum fixed rail	79 in	2.0 m
Height, stowed maximum rails up	83 in	2.10 m
Height, stowed maximum rails folded	69 in	1.75 m
Platform height, stowed maximum	39.5 in	1.0 m
Height, guard rails	39 in	99 cm
Width	30 in	76 cm
Length, stowed	72 in	1.83 m
Length, platform extended	107 in	2.72 m
Platform extension length	35 in	88.9 cm
Platform dimensions, (length x width)	64 x 29 in	1.6 m x 75 cm
Maximum load capacity	500 lbs	227 kg
Maximum wind speed	28 mph	12.5 m/s
Wheelbase	52 in	1.32 m
Turning radius (outside)	61 in	1.55 m
Turning radius (inside)	0 in	0 cm
Ground clearance	2.4 in	6.1 cm
Ground clearance Pothole guards deployed	0.8 in	1.9 cm
Weight	2718 lbs	1233 kg
(Machine weights vary with option configurations. See serial label for specific machine weight.)		

Power source	4 Batteries, 6V 225AH	
System voltage	24V	
Controls	Proportional	
AC outlet in platform	standard	
Maximum hydraulic pressure (functions)	3500 psi	241 bar
Tire size	12 x 4.5 x 8 in	
Airborne noise emissions	<70 dB	
Maximum sound level at normal operating workstations (A-weighted)		
Vibration value does not exceed 2.5 m/s ²		
Maximum slope rating, stowed position	30% (17°)	
Maximum side slope rating, stowed position	30% (17°)	
Note: Slope rating is subject to ground conditions and adequate traction.		
Drive speeds		
Stowed, maximum	2.5 mph	4.0 km/h
Platform raised maximum	0.5 mph 40 ft/55 sec	0.8 km/h 12.5 m/55 sec
Floor loading information		
Tire load, maximum	1302 lbs	591 kg
Tire contact pressure	145 psi	10.18 kg/cm ² 998 kPa
Occupied floor pressure	240 psf	1172 kg/m ² 11.50 kPa

Note: Floor loading information is approximate and does not incorporate different option configurations. It should be used only with adequate safety factors.

Continuous improvement of our products is a Genie policy. Product specifications are subject to change without notice or obligation.



Specifications

Model	GS-2032	
Height, working maximum	26 ft	7.9 m
Height, platform maximum	20 ft	6.1 m
Height, stowed maximum fixed rail	80 in	2.02 m
Height, stowed maximum rails up	84 in	2.13 m
Height, stowed maximum rails folded	70 in	1.78 m
Platform height, stowed maximum	40.5 in	1.03 m
Height, guard rails	39 in	99 cm
Width	32 in	81 cm
Length, stowed	96 in	2.44 m
Length, platform extended	131 in	3.33 m
Platform extension length	35 in	88.9 cm
Platform dimensions, (length x width)	89 x 32 in	2.26 m x 81 cm
Maximum load capacity	800 lbs	363 kg
Maximum wind speed	28 mph	12.5 m/s
Wheelbase	73 in	1.85 m
Turning radius (outside)	84 in	2.12 m
Turning radius (inside)	0 in	0 cm
Ground clearance	3.5 in	8.9 cm
Ground clearance Pothole guards deployed	0.88 in	2.2 cm
Weight	3554 lbs	1612 kg
(Machine weights vary with option configurations. See serial label for specific machine weight.)		

Power source	4 Batteries, 6V 225AH	
Controls	Proportional	
AC outlet in platform	standard	
Maximum hydraulic pressure (functions)	3500 psi	241.3 bar
System voltage	24V	
Tire size	15 x 5 x 11 ¹ / ₄	
Airborne noise emissions Maximum sound level at normal operating workstations (A-weighted)	<70 dB	
Vibration value does not exceed 2.5 m/s ²		

Maximum slope rating, stowed position 30% (17°)

Maximum side slope rating, stowed position 30% (17°)

Note: Slope rating is subject to ground conditions and adequate traction.

Drive speeds

Stowed, maximum	2.2 mph	3.5 km/h
Platform raised, maximum	0.5 mph	0.8 km/h
	40 ft/54 sec	12.2 m/54 sec

Floor loading information

Tire load, maximum	1699 lbs	771 kg
Tire contact pressure	170 psi	11.95 kg/cm ² 1171 kPa
Occupied floor pressure	221 psf	1079 kg/m ² 10.59 kPa

Note: Floor loading information is approximate and does not incorporate different option configurations. It should be used only with adequate safety factors.

Continuous improvement of our products is a Genie policy. Product specifications are subject to change without notice or obligation.



Specifications

Model	GS-2632	
Height, working maximum	32 ft	9.8 m
Height, platform maximum	26 ft	7.9 m
Height, stowed maximum	89 in	2.26 m
Height, stowed maximum rails folded	75 in	1.91 m
Platform height, stowed maximum	45.5 in	1.16 m
Height, guard rails	39 in	99 cm
Width	32 in	81 cm
Length, stowed	96 in	2.44 m
Length, platform extended	131 in	3.33 m
Platform extension length	35 in	88.9 cm
Platform dimensions, (length x width)	89 x 32 in	2.26 m x 81 cm
Maximum load capacity	500 lbs	227 kg
Maximum wind speed	28 mph	12.5 m/s
Wheelbase	73 in	1.85 m
Turning radius (outside)	84 in	2.13 m
Turning radius (inside)	0 in	0 cm
Ground clearance	3.5 in	8.9 cm
Ground clearance Pothole guards deployed	0.88 in	2.2 cm
Weight (Machine weights vary with option configurations. See serial label for specific machine weight.)	4407 lbs	1999 kg

Power source	4 Batteries, 6V 225AH	
Controls	Proportional	
AC outlet in platform	standard	
Maximum hydraulic pressure (functions)	3500 psi	241.3 bar
System voltage	24V	
Tire size	15 x 5 x 11 ¹ / ₄	
Airborne noise emissions	<70 dB	
Maximum sound level at normal operating workstations (A-weighted)		
Vibration value does not exceed	2.5 m/s ²	

Maximum slope rating, stowed position 25% (14°)

Maximum side slope rating, stowed position 25% (14°)

Note: Slope rating is subject to ground conditions and adequate traction.

Drive speeds

Stowed, maximum	2.2 mph	3.5 km/h
Platform raised, maximum	0.5 mph	0.8 km/h
	40 ft/54 sec	12.2 m/54 sec

Floor loading information

Tire load, maximum	1773 lbs	804 kg
Tire contact pressure	177 psi	12.48 kg/cm ² 1223 kPA
Occupied floor pressure	248 psf	1212 kg/m ² 11.89 kPA

Note: Floor loading information is approximate and does not incorporate different option configurations. It should be used only with adequate safety factors.

Continuous improvement of our products is a Genie policy. Product specifications are subject to change without notice or obligation.



Specifications

Model	GS-3232	
Height, working maximum	38 ft	11.6 m
Height, working, drivable	28 ft	8.5 m
Height, platform maximum	32 ft	9.8 m
Height, platform, drivable	22 ft	6.7 m
Height, stowed maximum	94 in	2.38 m
Height, stowed maximum rails folded	80 in	2.04 m
Platform height, stowed maximum	50.5 in	1.28 m
Height, guard rails	43 in	1.09 m
Width	32 in	81 cm
Length, stowed	96 in	2.44 m
Length, platform extended	131 in	3.33 m
Platform extension length	35 in	88.9 cm
Platform dimensions, (length x width)	89 x 32 in	2.26 m x 81 cm
Maximum load capacity	500 lbs	227 kg
Maximum wind speed	28 mph	12.5 m/s
Wheelbase	73 in	1.85 m
Turning radius (outside)	84 in	2.13 m
Turning radius (inside)	0 in	0 cm
Ground clearance	3.5 in	8.9 cm
Ground clearance Pothole guards deployed	0.88 in	2.2 cm
Weight (Machine weights vary with option configurations. See serial label for specific machine weight.)	5185 lbs	2352 kg

Power source	4 Batteries, 6V 225AH	
Controls	Proportional	
AC outlet in platform	standard	
Maximum hydraulic pressure (functions)	3500 psi	241.3 bar
System voltage	24V	
Tire size	15 x 5 x 11 ¹ / ₄	
Airborne noise emissions Maximum sound level at normal operating workstations (A-weighted)	<70 dB	
Vibration value does not exceed	2.5 m/s ²	

Maximum slope rating, stowed position 25% (14°)

Maximum side slope rating, stowed position 25% (14°)

Note: Slope rating is subject to ground conditions and adequate traction.

Drive speeds

Stowed, maximum	2.2 mph	3.5 km/h
Platform raised, maximum	0.5 mph	0.8 km/h
	40 ft/54 sec	12.2 m/54 sec

Floor loading information

Tire load, maximum	1700 lbs	804 kg
Tire contact pressure	170 psi	12.48 kg/cm ² 1223 kPa
Occupied floor pressure	287 psf	1401 kg/m ² 13.76 kPa

Note: Floor loading information is approximate and does not incorporate different option configurations. It should be used only with adequate safety factors.

Continuous improvement of our products is a Genie policy. Product specifications are subject to change without notice or obligation.



Specifications

Model	GS-2046	
Height, working maximum	26 ft	7.9 m
Height, platform maximum	20 ft	6.1 m
Height, stowed maximum	84 in	2.14 m
Height, stowed maximum rails folded	61 in	1.55 m
Platform height, stowed maximum	40.8 in	1.04 m
Height, guard rails	39 in	99 cm
Width	46 in	1.16 m
Length, stowed	96 in	2.44 m
Length, platform extended	131 in	3.33 m
Platform extension length	35 in	88.9 cm
Platform dimensions, (length x width)	89 x 45.5 in	2.26 x 1.16 m
Maximum load capacity	1200 lbs	544 kg
Maximum wind speed	28 mph	12.5 m/s
Wheelbase	73 in	1.85 m
Turning radius (outside)	90 in	2.29 m
Turning radius (inside)	0 in	0 cm
Ground clearance	4 in	10.2 cm
Ground clearance Pothole guards deployed	0.75 in	1.9 cm
Weight (Machine weights vary with option configurations. See serial label for specific machine weight.)	3883 lbs	1761 kg

Power source	4 Batteries, 6V 225AH	
Controls	Proportional	
AC outlet in platform	standard	
Maximum hydraulic pressure (functions)	3500 psi	241 bar
System voltage	24V	
Tire size	15 x 5 x 11 ¹ / ₄	
Airborne noise emissions	<70 dB	
Maximum sound level at normal operating workstations (A-weighted)		
Vibration value does not exceed 2.5 m/s ²		

Maximum slope rating, stowed position 30% (17°)

Maximum side slope rating, stowed position 30% (17°)

Note: Slope rating is subject to ground conditions and adequate traction.

Drive speeds

Stowed, maximum	2.1 mph	3.4 km/h
Platform raised, maximum	0.6 mph	1.0 km/h
	40 ft/45 sec	12.2 m/45 sec

Floor loading information

Tire load, maximum	2035 lbs	923 kg
Tire contact pressure	204 psi	14.32 kg/cm ² 1403 kPa
Occupied floor pressure	184 psf	899 kg/m ² 8.82 kPa

Note: Floor loading information is approximate and does not incorporate different option configurations. It should be used only with adequate safety factors.

Continuous improvement of our products is a Genie policy. Product specifications are subject to change without notice or obligation.



Specifications

Model	GS-2646	
Height, working maximum	32 ft	9.8 m
Height, platform maximum	26 ft	7.9 m
Height, stowed maximum	89 in	2.26 m
Height, stowed maximum rails folded	66 in	1.68 m
Platform height, stowed maximum	45.6 in	1.16 m
Height, guard rails	39 in	99 cm
Width	46 in	1.17 m
Length, stowed	96 in	2.44 m
Length, platform extended	131 in	3.33 m
Platform extension length	35 in	88.9 cm
Platform dimensions, (length x width)	89 x 45.5 in	2.26 x 1.16 m
Maximum load capacity	1000 lbs	454 kg
Maximum wind speed	28 mph	12.5 m/s
Wheelbase	73 in	1.85 m
Turning radius (outside)	90 in	2.29 m
Turning radius (inside)	0 in	0 cm
Ground clearance	4 in	10.2 cm
Ground clearance Pothole guards deployed	0.75 in	1.9 cm
Weight (Machine weights vary with option configurations. See serial label for specific machine weight.)	4207 lbs	1908 kg

Power source	4 Batteries, 6V 225AH	
Controls	Proportional	
AC outlet in platform	standard	
Maximum hydraulic pressure (functions)	3500 psi	241 bar
System voltage	24V	
Tires size	15 x 5 x 11 ¹ / ₄	
Airborne noise emissions	<70 dB	
Maximum sound level at normal operating workstations (A-weighted)		
Vibration value does not exceed	2.5 m/s ²	

Maximum slope rating, stowed position 30% (17°)

Maximum side slope rating, stowed position 30% (17°)

Note: Slope rating is subject to ground conditions and adequate traction.

Drive speeds

Stowed, maximum	2.2 mph	3.5 km/h
Platform raised, maximum	0.6 mph	1.0 km/h
	40 ft/45 sec	12.2 m/45 sec

Floor loading information

Tire load, maximum	2150 lbs	975 kg
Tire contact pressure	215 psi	15.13 kg/cm ² 1483 kPa
Occupied floor pressure	189 psf	922 kg/m ² 9.05 kPa

Note: Floor loading information is approximate and does not incorporate different option configurations. It should be used only with adequate safety factors.

Continuous improvement of our products is a Genie policy. Product specifications are subject to change without notice or obligation.



Specifications

Model	GS-3246	
Height, working maximum	38 ft	11.6 m
Height, platform maximum	32 ft	9.8 m
Height, stowed maximum	94 in	2.37 m
Height, stowed maximum rails folded	71 in	1.80 m
Platform height, stowed maximum	50.5 in	1.28 m
Height, guard rails	39 in	99 cm
Width	46 in	1.17 m
Length, stowed	96 in	2.44 m
Length, platform extended	131 in	3.33 m
Platform extension length	35 in	88.9 cm
Platform dimensions, (length x width)	89 x 45.5 in	2.26 x 1.16 m
Maximum load capacity	700 lbs	318 kg
Maximum wind speed	28 mph	12.5 m/s
Wheelbase	73 in	1.85 m
Turning radius (outside)	90 in	2.29 m
Turning radius (inside)	0 in	0 cm
Ground clearance	4 in	10.2 cm
Ground clearance Pothole guards deployed	0.75 in	1.9 cm
Weight (Machine weights vary with option configurations. See serial label for specific machine weight.)	5143 lbs	2333 kg

Power source	4 Batteries, 6V 225AH	
Controls	Proportional	
AC outlet in platform	standard	
Maximum hydraulic pressure (functions)	3500 psi	241 bar
System voltage	24V	
Tire size	15 x 5 x 11 ¹ / ₄	
Airborne noise emissions	<70 dB	
Maximum sound level at normal operating workstations (A-weighted)		
Vibration value does not exceed 2.5 m/s ²		
Maximum slope rating, stowed position	25% (14°)	

Maximum side slope rating, stowed position	25% (14°)	
---	-----------	--

Note: Slope rating is subject to ground conditions and adequate traction.

Drive speeds

Stowed, maximum	2.2 mph	3.5 km/h
Platform raised, maximum	0.6 mph	1.0 km/h
	40 ft/45 sec	12.2 m/45 sec

Floor loading information

Tire load, maximum	2251 lbs	1021 kg
Tire contact pressure	225 psi	15.84 kg/cm ² 1552kPa
Occupied floor pressure	210 psf	1026 kg/m ² 10.07 kPa

Note: Floor loading information is approximate and does not incorporate different option configurations. It should be used only with adequate safety factors.

Continuous improvement of our products is a Genie policy. Product specifications are subject to change without notice or obligation.



Genie Scandinavia

Phone +46 31 575100
Fax +46 31 579020

Genie France

Phone +33 (0)2 37 26 09 99
Fax +33 (0)2 37 26 09 98

Genie Iberica

Phone +34 93 579 5042
Fax +34 93 579 5059

Genie Germany

Phone +49 (0)4202 88520
Fax +49 (0)4202 8852-20

Genie U.K.

Phone +44 (0)1476 584333
Fax +44 (0)1476 584334

Genie Mexico City

Phone +52 55 5666 5242
Fax +52 55 5666 3241

Genie North America

Phone 425.881.1800
Toll Free USA and Canada
800.536.1800
Fax 425.883.3475

Genie Australia Pty Ltd.

Phone +61 7 3375 1660
Fax +61 7 3375 1002

Genie China

Phone +86 21 53852570
Fax +86 21 53852569

Genie Malaysia

Phone +65 98 480 775
Fax +65 67 533 544

Genie Japan

Phone +81 3 3453 6082
Fax +81 3 3453 6083

Genie Korea

Phone +82 25 587 267
Fax +82 25 583 910

Genie Brasil

Phone +55 11 41 665 755
Fax +55 11 41 665 754

Genie Holland

Phone +31 183 581 102
Fax +31 183 581 566

Distributed By: