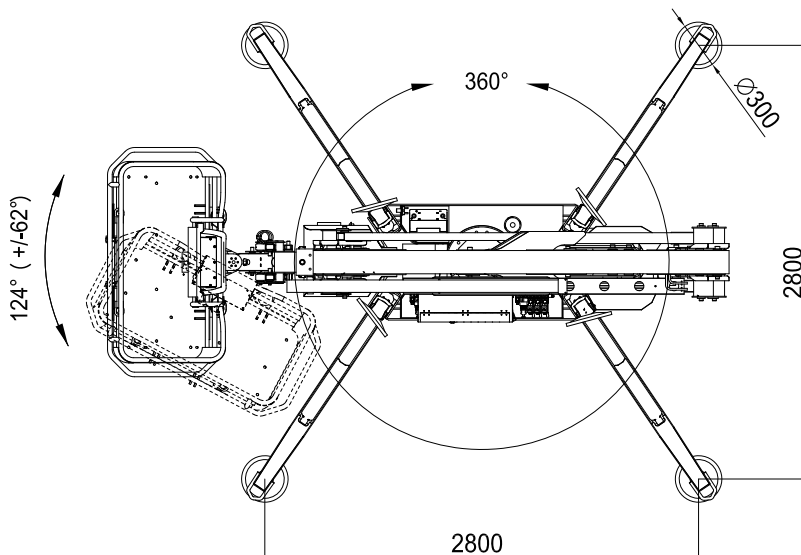
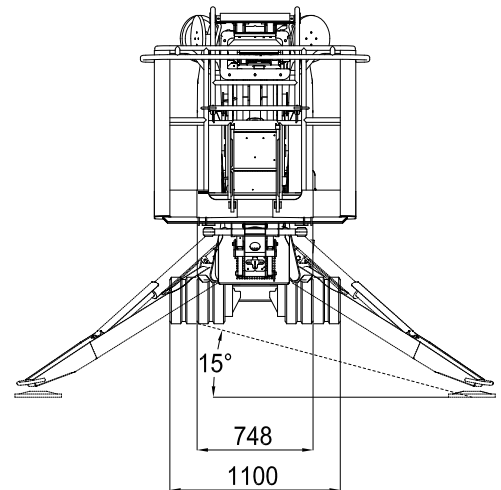
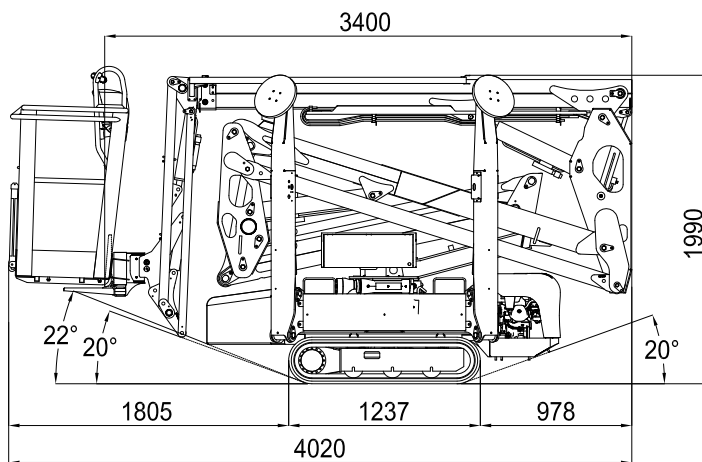


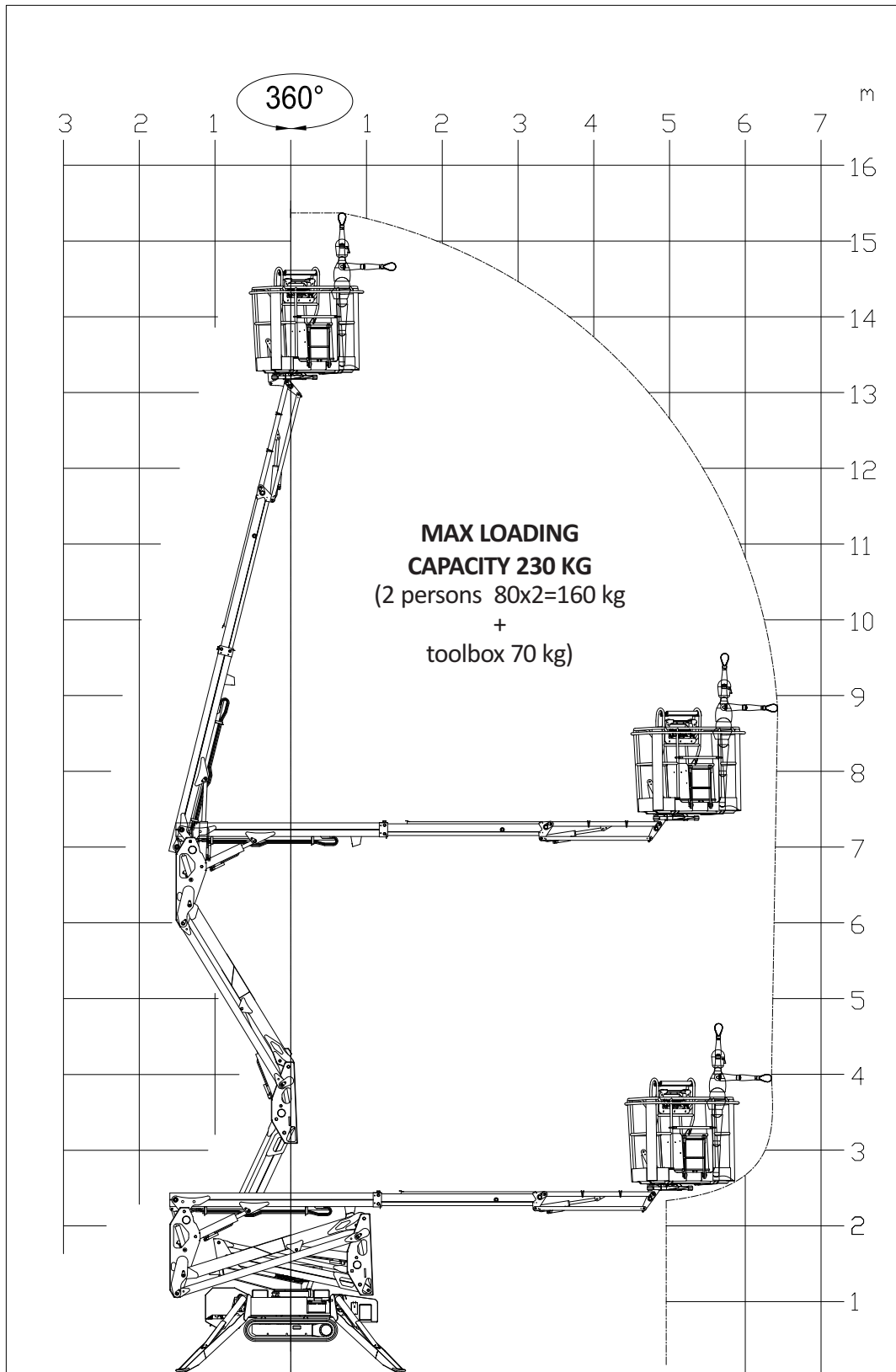
# TRACKED AERIAL PLATFORMS



## LIGHTLIFT 15.70 *PERFORMANCE III S*



# LIGHTLIFT 15.70 *PERFORMANCE III*



# TRACKED AERIAL PLATFORMS



## LIGHTLIFT 15.70 *PERFORMANCE III*

### PETROL ENGINE

Brand.....HONDA  
Type .....iGX390  
Pistons no. and displacement .....single-cylinder 389 cc  
Max. gross power. .... 11,7 HP - 8,7 kW @ 3600 rpm  
Electrical start ..... 12 volt

### DIESEL ENGINE

Brand .....HATZ  
Type .....1B40 - HD Autorev  
Pistons no. and displacement .....single-cylinder 462 cc  
Max. gross power. .... 10 HP - 7,5 kW @ 3600 rpm  
Electrical start ..... 12 volt

### ELECTRIC MOTOR

Standard .....230V / 50 Hz - 2,2 kW  
Optional .....110V / 50 Hz - 2,2 kW

### HYDRAULIC PUMPS

Pump diesel engine .....no. 2 gear pumps  
Pump electric motor .....no. 2 gear pumps

### TRACKED UNDERCARRIAGE

Track tensioner .....grease-filled  
Rollers no. per side .....3 + slide  
Widening system.....748 / 1100 mm  
Translation speed (thermic engine) with 2<sup>nd</sup> auto2speed..... 1,4 - 2,6 km/h

WEIGHT MACHINE PETROL ENGINE ..... 1950 kg  
MAX UPPER SLANT .....16° / 28,7%  
MAX WIND SPEED ..... 12,5 m/s



## TRACKED AERIAL PLATFORMS

# LIGHTLIFT 15.70 *PERFORMANCE III* *LITHIUM ION*

### ELECTRIC SYSTEM

Electric system voltage.....	36V-12V
Lithium battery pack.....	3,6 KWh
Autonomy (continuous cycle)* .....	4-5 h
Onboard battery charger .....	220V 50Hz
Optional battery charger .....	110V 50Hz
Recharge time on flat batteries.....	4 h (indicative)
Recharge time to 80% on flat batteries.....	2 h (indicative)

### HYDRAULIC PUMPS

Electric motor .....	no.2 gear pumps
----------------------	-----------------

### TRACKED UNDERCARRIAGE

Track tensioner .....	grease-filled
Rollers no. per side .....	3 + slide
Widening system.....	748 / 1100 mm

**MAX UPPER SLANT** ..... 16° / 28,7%

**MAX WIND SPEED** ..... 12,5 m/s

\* (Autonomy measured with Hinowa H2 operating cycle)