

# Genie®



## **Operator's Manual** *with Maintenance Information*

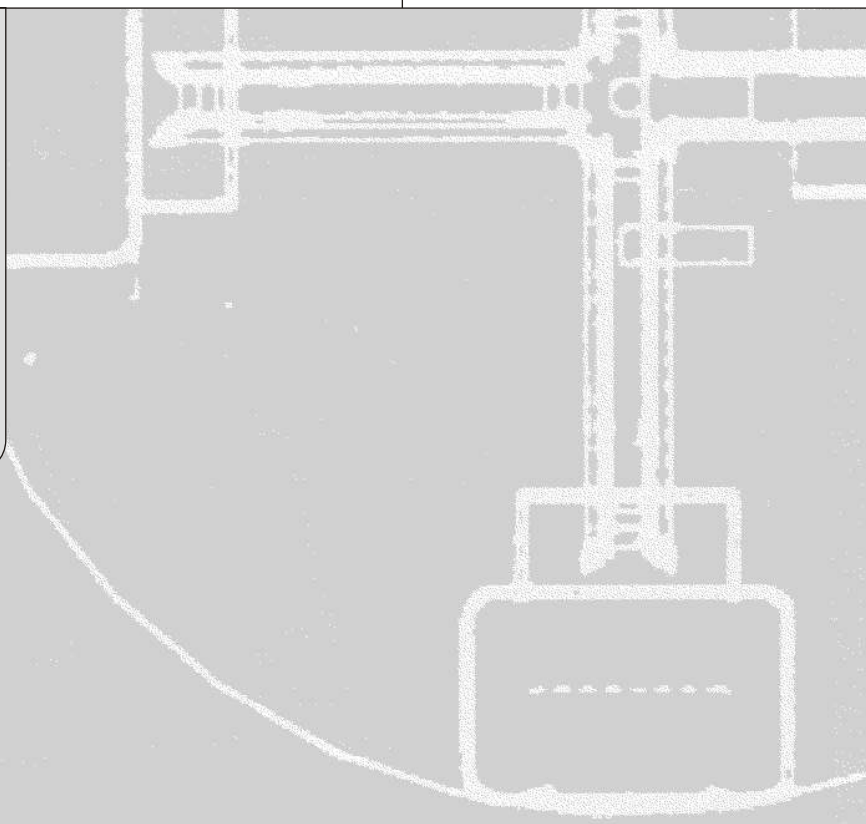
Third Edition  
Third Printing  
Part No. 1000031

**GS™-1530**

**GS™-1532**

**GS™-1930**

**GS™-1932**



---

## Important

Read, understand and obey these safety rules and operating instructions before operating this machine. Only trained and authorized personnel shall be permitted to operate this machine. This manual should be considered a permanent part of your machine and should remain with the machine at all times. If you have any questions, call Genie Industries.

---

## Contents

	Page
Safety Rules .....	1
Legend .....	9
Controls .....	10
Pre-operation Inspection .....	12
Maintenance .....	14
Function Tests .....	16
Workplace Inspection .....	21
Operating Instructions .....	22
Transport and Lifting Instructions .....	27
Decals .....	30
Specifications .....	34

---

## Contact us:

Internet: <http://www.genielift.com>  
 E-mail: [techpub@genieind.com](mailto:techpub@genieind.com)

---

Copyright © 1997 by Genie Industries


First Edition: Eleventh Printing, January 2002

Second Edition: Third Printing, July 2004

Third Edition: Third Printing, February 2006

"Genie" is a registered trademark of Genie Industries in the U.S.A. and many other countries. "GS" is a trademark of Genie Industries.

These machines comply with ANSI/SIA 92.6-1999.

 Printed on recycled paper

Printed in U.S.A.



---

# Safety Rules



---

## Danger

Failure to obey the instructions and safety rules in this manual will result in death or serious injury.

---

## Do Not Operate Unless:

- You learn and practice the principles of safe machine operation contained in this operator's manual.

### 1 Avoid hazardous situations.

**Know and understand the safety rules before going on to the next section.**

2 Always perform a pre-operation inspection.

3 Always perform function tests prior to use.

4 Inspect the workplace.

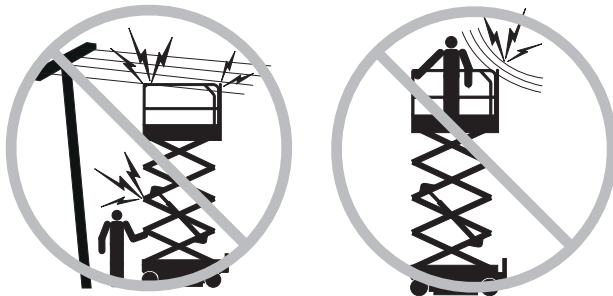
5 Only use the machine as it was intended.

- You read, understand and obey the manufacturer's instructions and safety rules—safety and operator's manuals and machine decals.
- You read, understand and obey employer's safety rules and worksite regulations.
- You read, understand and obey all applicable governmental regulations.
- You are properly trained to safely operate the machine.

SAFETY RULES

### Electrocution Hazards

This machine is not electrically insulated and will not provide protection from contact with or proximity to electrical current.



Maintain safe distances from electrical power lines and apparatus in accordance with applicable governmental regulations and the following chart.

Voltage Phase to Phase	Minimum Safe Approach Distance	
	Feet	Meters
0 to 300V	Avoid Contact	
300V to 50KV	10	3.05
50KV to 200KV	15	4.60
200KV to 350KV	20	6.10
350KV to 500KV	25	7.62
500KV to 750KV	35	10.67
750KV to 1000KV	45	13.72

Allow for platform movement, electrical line sway or sag and beware of strong or gusty winds.

Keep away from the machine if it contacts energized power lines. Personnel on the ground or in the platform must not touch or operate the machine until energized power lines are shut off.

Do not operate the machine during lightning or storms.

Do not use the machine as a ground for welding.

### Tip-over Hazards

Occupants, equipment and materials must not exceed the maximum platform capacity or the maximum capacity of the platform extension.

#### Maximum capacity - GS-1530 and GS-1532

Platform retracted	600 lbs	272 kg
Platform extended - Platform only	350 lbs	159 kg
Platform extended - Extension only	250 lbs	113 kg
Maximum occupants - GS-1530 - ANSI and CSA	2	
Maximum occupants - GS-1532 - Australia		
Outdoor use	1	
Indoor use only	2	
Maximum occupants - GS-1530 - Australia		
Indoor use only	2	





600 lbs / 272 kg



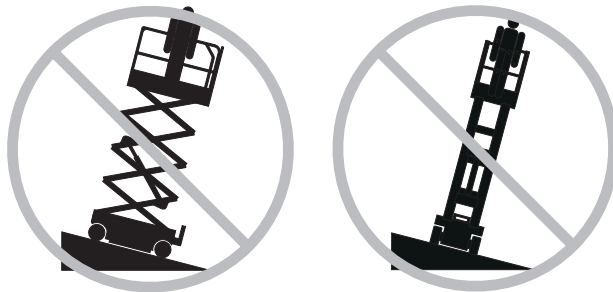
Extension only 250 lbs / 113 kg  
Platform only 350 lbs / 159 kg

**SAFETY RULES**

<b>Maximum capacity - GS-1930 and GS-1932</b>		
Platform retracted	500 lbs	227 kg
Platform extended - Platform only	250 lbs	113 kg
Platform extended - Extension only	250 lbs	113 kg
Maximum occupants - GS-1930 - ANSI and CSA		
		2
Maximum occupants - GS-1932 - Australia		
Outdoor use	1	
Indoor use only	2	
Maximum occupants - GS-1930 - Australia		
Indoor use only	2	

	
500 lbs / 227 kg	Extension only Platform only 250 lbs / 113 kg 250 lbs / 113 kg

Do not raise the platform unless the machine is on a firm, level surface.



Do not depend on the tilt alarm as a level indicator. The tilt alarm sounds on the chassis only when the machine is on a slope.

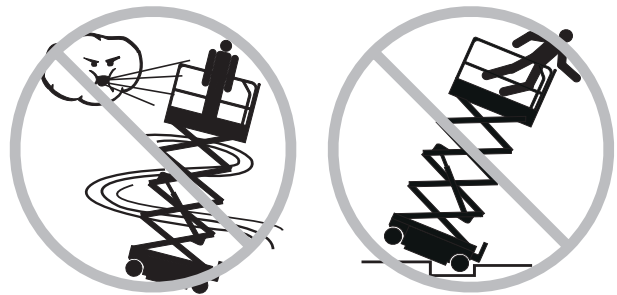
If the tilt alarm sounds:  
Lower the platform. Move the machine to a firm, level surface. If the tilt alarm sounds when the platform is raised, use extreme caution to lower the platform.

Do not alter or disable the limit switches.

Do not drive over 0.5 mph / 0.7 km/h with the platform raised.

Do not raise the platform when wind speeds may exceed 28 mph / 12.5 m/s. If wind speeds exceed 28 mph / 12.5 m/s when the platform is raised, lower the platform and do not continue to operate the machine.

Do not operate the machine in strong or gusty winds. Do not increase the surface area of the platform or the load. Increasing the area exposed to the wind will decrease machine stability.



Do not drive the machine on or near uneven terrain, unstable surfaces or other hazardous conditions with the platform raised.

Use extreme care and slow speeds while driving the machine in a stowed position across uneven terrain, debris, unstable or slippery surfaces and near holes and drop-offs.

SAFETY RULES

Do not drive the machine on a slope that exceeds the slope and side slope rating of the machine. Slope rating applies to machines in the stowed position.

**GS-1530 and GS-1532**

**Maximum slope rating, stowed**  
ANSI / CSA / AUS 30% (17°)

**Maximum side slope rating, stowed**  
ANSI / CSA / AUS 30% (17°)

**GS-1930 and GS-1932**

**Maximum slope rating, stowed**  
ANSI / CSA 30% (17°)  
AUS 25% (14°)

**Maximum side slope rating, stowed**  
ANSI / CSA 30% (17°)  
AUS 25% (14°)

Note: Slope rating is subject to ground conditions and adequate traction.

Do not use the platform controls to free a platform that is caught, snagged or otherwise prevented from normal motion by an adjacent structure. All personnel must be removed from the platform before attempting to free the platform using the ground controls.

Do not alter or disable machine components that in any way affect safety and stability.

Do not replace items critical to machine stability with items of different weight or specification.

Do not modify or alter an aerial work platform without prior written permission from the manufacturer. Mounting attachments for holding tools or other materials onto the platform, toeboards or guard rail system can increase the weight in the platform and the surface area of the platform or the load.

Do not push off or pull toward any object outside of the platform.



**GS-1530 and GS-1930**

**Maximum allowable side force - ANSI & CSA**

2 person  
100 lbs / 445 N

**GS-1532 and GS-1932**

**Maximum allowable manual force - Australia**

2 person 90 lbs / 400 N  
1 person 45 lbs / 200 N

**GS-1530 and GS-1930**

**Maximum allowable manual force - Australia**

2 person 90 lbs / 400 N  
Indoor use only

Do not place or attach fixed or overhanging loads to any part of this machine.

Do not transport tools and materials unless they are evenly distributed and can be safely handled by person(s) in the platform.



Do not place ladders or scaffolds in the platform or against any part of this machine.

Do not use the machine on a moving or mobile surface or vehicle.

## SAFETY RULES

Be sure all tires are in good condition, castle nuts are properly tightened and cotter pins are properly installed.

Do not use batteries that weigh less than the original equipment. Batteries are used as counterweight and are critical to machine stability. Each battery must weigh 65 pounds / 29.5 kg.

Do not use the machine as a crane.

Do not push the machine or other objects with the platform.

Do not contact adjacent structures with the platform.

Do not tie the platform to adjacent structures.

Do not place loads outside the platform perimeter.

Do not operate the machine with the chassis trays open.

## Fall Hazards

The guard rail system provides fall protection. If occupants of the platform are required to wear personal fall protection equipment (PFPE) due to job site or employer rules, PFPE equipment and its use shall be in accordance with the PFPE manufacturer's instructions and applicable governmental requirements.

Do not sit, stand or climb on the platform guard rails. Maintain a firm footing on the platform floor at all times.



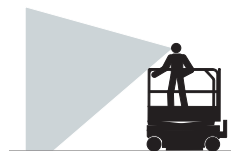
Do not climb down from the platform when raised.

Keep the platform floor clear of debris.

Attach the platform entry chain and close the entry gate before operating.

Do not operate the machine unless the guard rails are properly installed and the entry is secured for operation.

## Collision Hazards



Be aware of limited sight distance and blind spots when driving or operating.

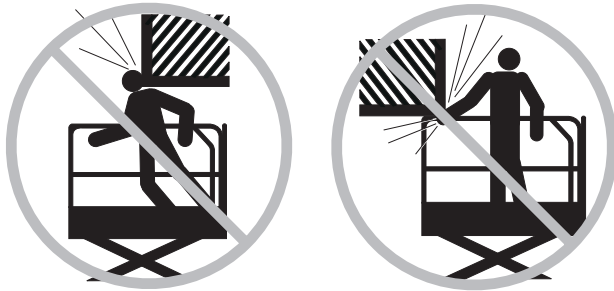
Be aware of extended platform position when moving the machine.

The machine must be on a level surface or secured before releasing the brakes.

Operators must comply with employer, job site and governmental rules regarding use of personal protective equipment.

## SAFETY RULES

Check the work area for overhead obstructions or other possible hazards.



Be aware of crushing hazards when grasping the platform guard rail.

Observe and use color-coded direction arrows on the platform controls and platform decal plate for drive and steer functions.

No stunt driving or horseplay while operating a machine.

Do not lower the platform unless the area below is clear of personnel and obstructions.



Limit travel speed according to the condition of the ground surface, congestion, slope, location of personnel, and any other factors which may cause collision.

Do not operate a machine in the path of any crane or moving overhead machinery unless the controls of the crane have been locked out and/or precautions have been taken to prevent any potential collision.

### Crushing Hazards

Keep hands and limbs out of scissors.

Do not work under the platform or in the scissor links without the safety arm in place.

Use common sense and planning when operating the machine with the controller from the ground. Maintain safe distances between the operator, the machine and fixed objects.

### Component Damage Hazard

Do not use the machine as a ground for welding.

### Explosion and Fire Hazard

Do not operate the machine or charge the battery in hazardous locations or locations where potentially flammable or explosive gases or particles may be present.



## SAFETY RULES

## Damaged Machine Hazards

Do not use a damaged or malfunctioning machine.

Conduct a thorough pre-operation inspection of the machine and test all functions before each work shift. Immediately tag and remove from service a damaged or malfunctioning machine.

Be sure all maintenance has been performed as specified in this manual and the appropriate service manual.

Be sure all decals are in place and legible.

Be sure the operator's, safety, and responsibilities manuals are complete, legible and in the storage container located on the platform.

## Bodily Injury Hazard

Do not operate the machine with a hydraulic oil or air leak. An air leak or hydraulic leak can penetrate and/or burn skin.

Improper contact with components under any cover will cause serious injury. Only trained maintenance personnel should access compartments. Access by the operator is only advised when performing a pre-operation inspection. All compartments must remain closed and secured during operation.

## Decal Legend

Genie product decals use symbols, color coding and signal words to identify the following:



Safety alert symbol—used to alert personnel to potential personal injury hazards. Obey all safety messages that follow this symbol to avoid possible injury or death.

**▲ DANGER**



Red—used to indicate the presence of an imminently hazardous situation which, if not avoided, will result in death or serious injury.

**▲ WARNING**



Orange—used to indicate the presence of a potentially hazardous situation which, if not avoided, could result in death or serious injury.

**▲ CAUTION**



Yellow with safety alert symbol—used to indicate the presence of a potentially hazardous situation which, if not avoided, may cause minor or moderate injury.

**CAUTION**

Yellow without safety alert symbol—used to indicate the presence of a potentially hazardous situation which, if not avoided, may result in property damage.

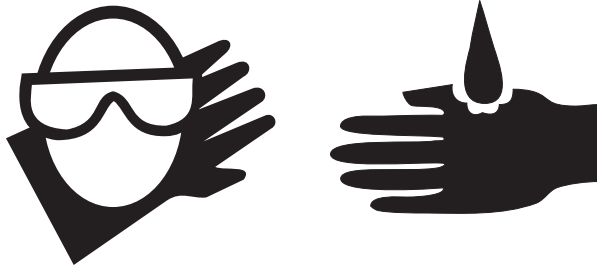
**NOTICE**

Green—used to indicate operation or maintenance information.

## SAFETY RULES

**Battery Safety****Burn Hazards**

Batteries contain acid. Always wear protective clothing and eyewear when working with batteries.



Avoid spilling or contacting battery acid. Neutralize battery acid spills with baking soda and water.

Do not expose the batteries or the charger to water or rain during charging.

**Explosion Hazards**

Keep sparks, flames and lighted tobacco away from batteries. Batteries emit an explosive gas.

The battery tray should remain open during the entire charging cycle.

Do not contact the battery terminals or the cable clamps with tools that may cause sparks.

**Component Damage Hazard**

Do not use any battery charger greater than 24V to charge the batteries.

**Electrocution Hazards**

Connect the battery charger to a grounded, AC 3-wire electrical outlet only.

Inspect daily for damaged cord, cables and wires. Replace damaged items before operating.

Avoid electrical shock from contact with battery terminals. Remove all rings, watches and other jewelry.

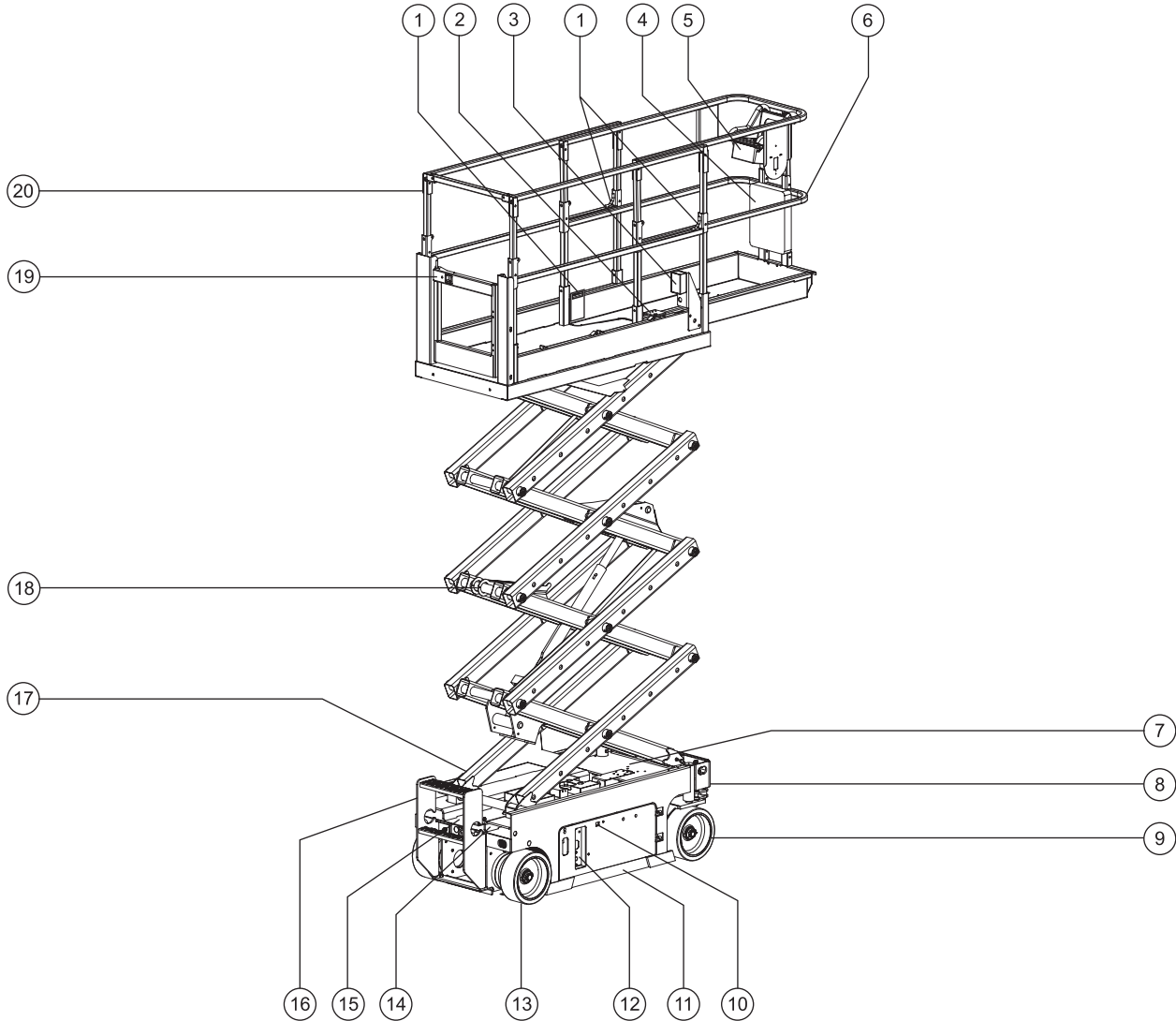
**Tip-over Hazard**

Do not use batteries that weigh less than the original equipment. Batteries are used as counterweight and are critical to machine stability. Each battery must weigh 65 pounds / 29.5 kg.

**Lifting Hazard**

Use the appropriate number of people and proper lifting techniques when lifting batteries.

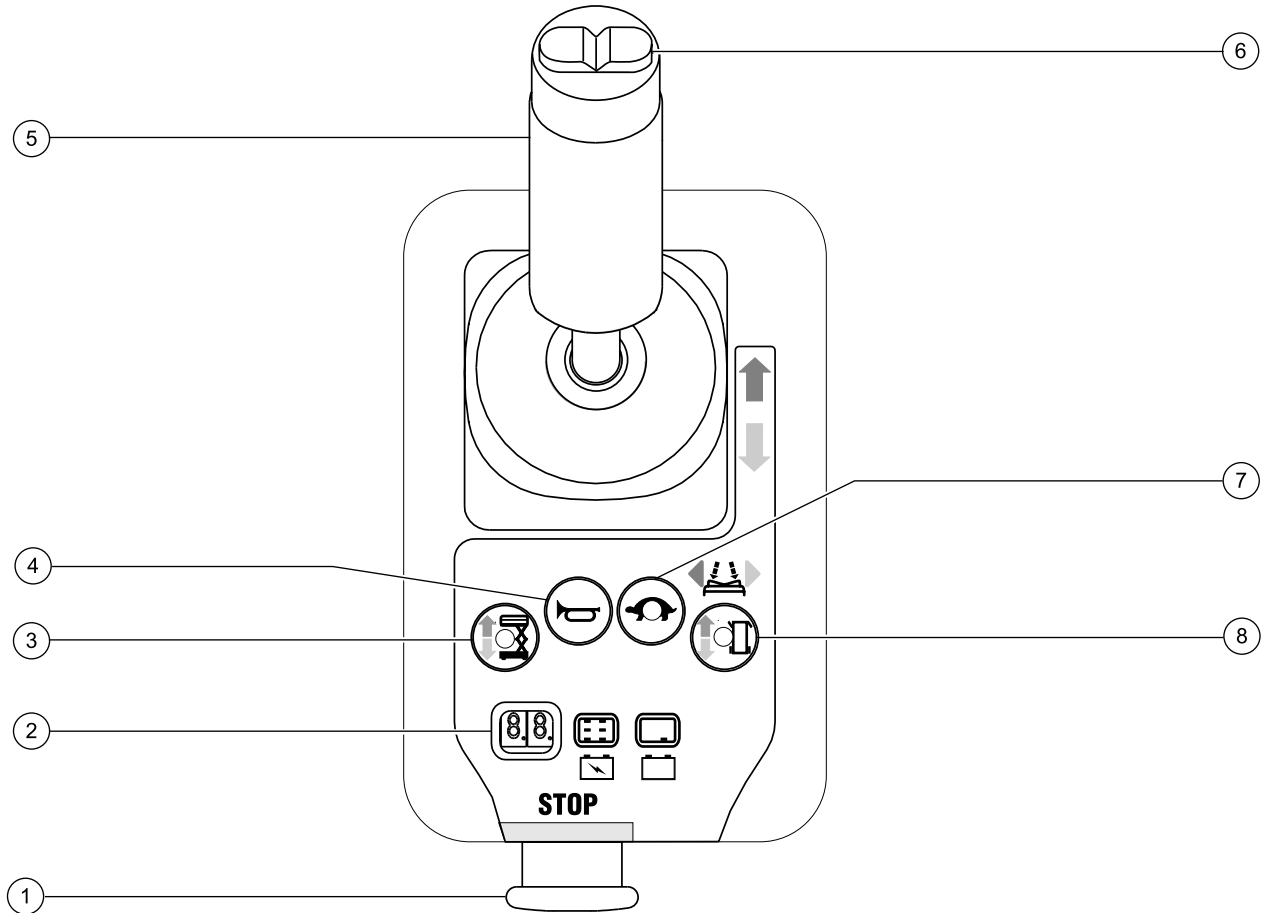
# Legend



- |                                    |                            |  |
|------------------------------------|----------------------------|--|
| 1 Lanyard anchorage point          | 8 Transport tie-down       | 16 Entry ladder/transport tie-down               |
| 2 Platform extension release pedal | 9 Steer tire               | 17 Battery charger (on opposite side of machine) |
| 3 GFCI outlet                      | 10 LED diagnostic readout  | 18 Safety arm                                    |
| 4 Manual storage container         | 11 Pothole guard           | 19 Platform entry chain or gate                  |
| 5 Platform controls                | 12 Ground controls         | 20 Platform guard rails                          |
| 6 Platform extension               | 13 Non-steer tire          |  |
| 7 Tilt alarm (under cover)         | 14 Auxiliary lowering knob |  |
|                                    | 15 Brake release pump      |  |



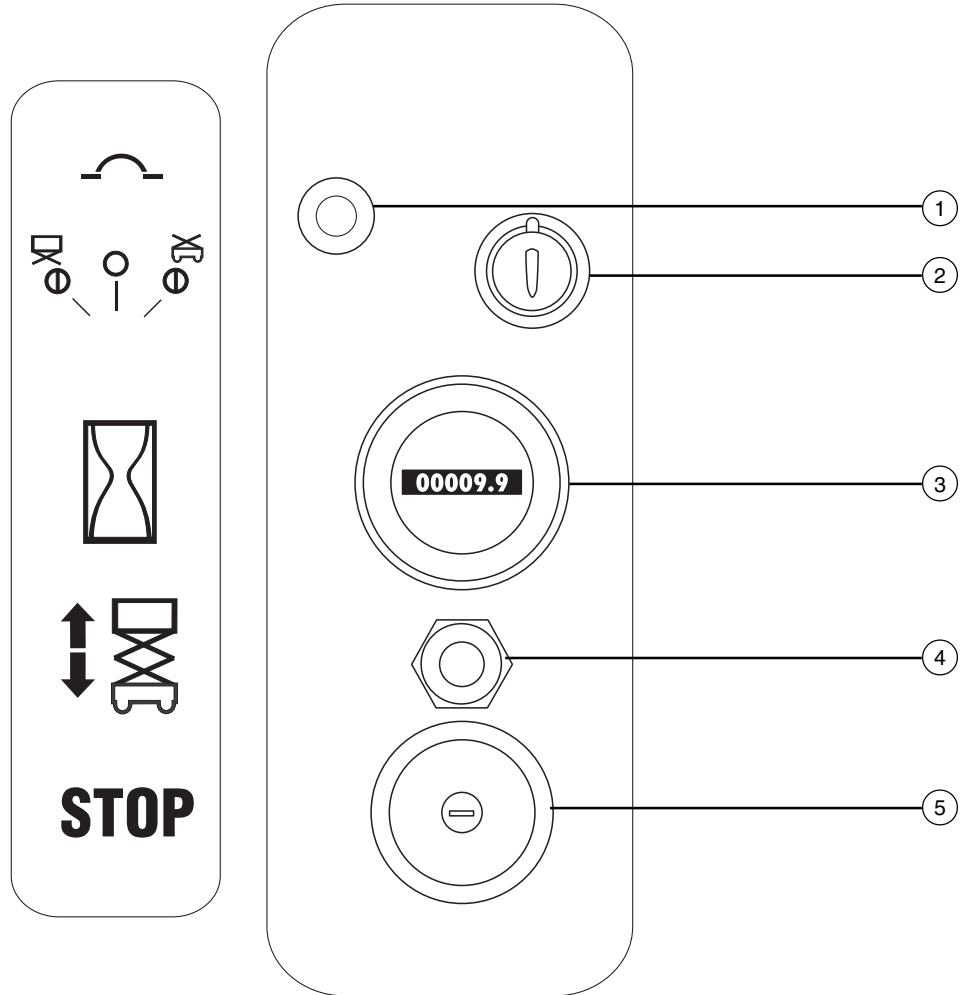
# Controls



## Platform Controls

- |   |   |
|---|---|
| 1 Red Emergency Stop button                         | 5 Proportional control handle and function enable switch for lift and drive functions |
| 2 LED diagnostic readout / Battery charge indicator | 6 Thumb rocker switch for steer functions   |
| 3 Lift function select button                       | 7 Drive speed button  |
| 4 Horn button                                       | 8 Drive function select button  |

CONTROLS



**Ground Control Panel**

- 1 7 amp breaker for electrical circuits
- 2 Key switch for platform/off/ground selection
- 3 Hour meter
- 4 Platform up/down toggle switch
- 5 Red Emergency Stop button

# Pre-operation Inspection



---

## Do Not Operate Unless:

- You learn and practice the principles of safe machine operation contained in this operator's manual.

- 1 Avoid hazardous situations.

- 2 Always perform a pre-operation inspection.**

**Know and understand the pre-operation inspection before going on to the next section.**

- 3 Always perform function tests prior to use.
- 4 Inspect the workplace.
- 5 Only use the machine as it was intended.

## Fundamentals

It is the responsibility of the operator to perform a pre-operation inspection and routine maintenance.

The pre-operation inspection is a visual inspection performed by the operator prior to each work shift. The inspection is designed to discover if anything is apparently wrong with a machine before the operator performs the function tests.

The pre-operation inspection also serves to determine if routine maintenance procedures are required. Only routine maintenance items specified in this manual may be performed by the operator.

Refer to the list on the next page and check each of the items.

If damage or any unauthorized variation from factory delivered condition is discovered, the machine must be tagged and removed from service.

Repairs to the machine may only be made by a qualified service technician, according to the manufacturer's specifications. After repairs are completed, the operator must perform a pre-operation inspection again before going on to the function tests.

Scheduled maintenance inspections shall be performed by qualified service technicians, according to the manufacturer's specifications and the requirements listed in the responsibilities manual.

## Pre-operation Inspection

---

- Be sure that the operator's, safety and responsibilities manuals are complete, legible and in the storage container located on the platform.
- Be sure that all decals are legible and in place. See Decals section.
- Check for hydraulic oil leaks and proper oil level. Add oil if needed. See Maintenance section.
- Check for battery fluid leaks and proper fluid level. Add distilled water if needed. See Maintenance section.

Check the following components or areas for damage, improperly installed or missing parts and unauthorized modifications:

- Electrical components, wiring and electrical cables
- Hydraulic power unit, tank, hoses, fittings, cylinders and manifolds
- Battery pack and connections
- Drive motors
- Wearpads
- Tires and wheels
- Ground strap
- Limit switches, alarms and horn
- Nuts, bolts and other fasteners
- Platform entry chain or gate
- Beacon and alarms (if equipped)
- Brake release components
- Safety arm

- Pothole guards
- Platform extension
- Scissor pins and retaining fasteners
- Platform control joystick

Check entire machine for:

- Cracks in welds or structural components
- Dents or damage to machine
- Excessive rust, corrosion or oxidation
- Be sure that all structural and other critical components are present and all associated fasteners and pins are in place and properly tightened.
- Be sure side rails are installed and bolts are fastened
- Be sure that the chassis trays are closed and latched and the batteries are properly connected.

**Note:** If the platform must be raised to inspect the machine, make sure the safety arm is in place. See Operating Instructions section.

# Maintenance



## Observe and Obey:

- ☑ Only routine maintenance items specified in this manual shall be performed by the operator.
- ☑ Scheduled maintenance inspections shall be completed by qualified service technicians, according to the manufacturer's specifications and the requirements specified in the responsibilities manual.

## Maintenance Symbols Legend

### NOTICE

The following symbols have been used in this manual to help communicate the intent of the instructions. When one or more of the symbols appear at the beginning of a maintenance procedure, it conveys the meaning below.



Indicates that tools will be required to perform this procedure.



Indicates that new parts will be required to perform this procedure.

## Check the Hydraulic Oil Level



Maintaining the hydraulic oil at the proper levels is essential to machine operation. Improper hydraulic oil levels can damage hydraulic components. Daily checks allow the inspector to identify changes in oil level that might indicate the presence of hydraulic system problems.

**NOTICE** Perform this procedure with the platform in the stowed position.

- 1 Visually inspect the oil level in the hydraulic tank.
- ⦿ Result: The hydraulic oil level should be as marked on the tank.
- 2 Add oil if necessary. Do not overfill.

---

### Hydraulic oil specifications

---

Hydraulic oil type	Chevron Rykon Premium MV equivalent
--------------------	--

---



## MAINTENANCE

## Check the Batteries



Proper battery condition is essential to good machine performance and operational safety. Improper fluid levels or damaged cables and connections can result in component damage and hazardous conditions.

**NOTICE** This procedure does not need to be performed on machines with sealed or maintenance-free batteries.

**⚠ WARNING** Electrocuting hazard. Contact with hot or live circuits may result in death or serious injury. Remove all rings, watches and other jewelry.

**⚠ WARNING** Bodily injury hazard. Batteries contain acid. Avoid spilling or contacting battery acid. Neutralize battery acid spills with baking soda and water.

**NOTICE** Perform this test after fully charging the batteries.

- 1 Put on protective clothing and eye wear.
- 2 Be sure that the battery cable connections are tight and free of corrosion.
- 3 Be sure that the battery hold-down bars are in place and secure.
- 4 Remove the battery vent caps.
- 5 Check the battery acid level of each battery. If needed, replenish with distilled water to the bottom of the battery fill tube. Do not overfill.
- 6 Install the vent caps.

## Scheduled Maintenance

Maintenance performed quarterly, annually and every two years must be completed by a person trained and qualified to perform maintenance on this machine according to the procedures found in the service manual for this machine.

Machines that have been out of service for more than three months must receive the quarterly inspection before they are put back into service.

# Function Tests



---

## Do Not Operate Unless:

- You learn and practice the principles of safe machine operation contained in this operator's manual.

1 Avoid hazardous situations.

2 Always perform a pre-operation inspection.

**3 Always perform function tests prior to use.**

**Know and understand the function tests before going on to the next section.**

4 Inspect the workplace.

5 Only use the machine as it was intended.

## Fundamentals

The function tests are designed to discover any malfunctions before the machine is put into service. The operator must follow the step-by-step instructions to test all machine functions.

A malfunctioning machine must never be used. If malfunctions are discovered, the machine must be tagged and removed from service. Repairs to the machine may only be made by a qualified service technician, according to the manufacturer's specifications.

After repairs are completed, the operator must perform a pre-operation inspection and function tests again before putting the machine into service.

## FUNCTION TESTS

- 1 Select a test area that is firm, level and free of obstruction.
- 2 Be sure the battery pack is connected.

### At the Ground Controls

- 3 Pull out the platform and ground red Emergency Stop buttons to the on position.
- 4 Turn the key switch to ground control.
- 5 Observe the diagnostic LED readout on the platform controls.

- ⦿ Result: The LED should look like the picture at right.



### Test Emergency Stop

- 6 Push in the ground red Emergency Stop button to the off position.
- ⦿ Result: No functions should operate.
- 7 Pull out the red Emergency Stop button to the on position.

### Test the Up/Down Functions

The audible warnings on this machine and the standard horn all come from the same central alarm. The horn is a constant tone. The descent alarm sounds at 60 beeps per minute. The alarm that goes off when the pothole guards have not deployed sounds at 300 beeps per minute. The alarm that goes off when the machine is not level sounds at 600 beeps per minute. An optional automotive-style horn is also available.

- 8 Activate the up function.
- ⦿ Result: The platform should raise.
- 9 Activate the down function.
- ⦿ Result: The platform should lower. The descent alarm should sound while the platform is lowering.

### Test the Auxiliary Lowering

- 10 Activate the up function and raise the platform approximately 2 feet / 60 cm.
- 11 Pull the auxiliary lowering knob located behind the entry ladder.
- ⦿ Result: The platform should lower. The descent alarm will not sound.
- 12 Turn the key switch to platform control.

### At the Platform Controls

#### Test Emergency Stop

- 13 Push in the platform red Emergency Stop button to the off position.
- ⦿ Result: No functions should operate.

## FUNCTION TESTS

**Test the Horn**

- 14 Pull the red Emergency Stop button out to the on position.
  - 15 Push the horn button.
- ⦿ Result: The horn should sound.

**Test the Function Enable Switch**

- 16 Do not hold the function enable switch on the control handle.
  - 17 Slowly move the control handle in the direction indicated by the blue arrow, then in the direction indicated by the yellow arrow.
- ⦿ Result: No functions should operate.

**Test the Up/Down Functions**

- 18 Press the lift function select button.
  - 19 Press and hold the function enable switch on the control handle.
  - 20 Slowly move the control handle in the direction indicated by the blue arrow.
- ⦿ Result: The platform should raise. The pothole guards should deploy.
- 21 Release the control handle.
- ⦿ Result: The platform should stop raising.
- 22 Press and hold the function enable switch. Slowly move the control handle in the direction indicated by the yellow arrow.
- ⦿ Result: The platform should lower. The descent alarm should sound while the platform is lowering.

**Test the Steering**

Note: When performing the steer and drive function tests, stand in the platform facing the steer end of the machine.

- 23 Press the drive function select switch.
- 24 Press and hold the function enable switch on the control handle.



- 25 Depress the thumb rocker switch on top of the control handle in the direction identified by the blue triangle on the control panel.
- ⦿ Result: The steer wheels should turn in the direction that the blue triangle points on the control panel.
- 26 Depress the thumb rocker switch in the direction identified by the yellow triangle on the control panel.
- ⦿ Result: The steer wheels should turn in the direction that the yellow triangle points on the control panel.

## FUNCTION TESTS

**Test Drive and Braking**

- 27 Press and hold the function enable switch.
- 28 Slowly move the control handle in the direction indicated by the blue arrow on the control panel until the machine begins to move, then return the handle to the center position.
- ⦿ Result: The machine should move in the direction that the blue arrow points on the control panel, then come to an abrupt stop.
- 29 Slowly move the control handle in the direction indicated by the yellow arrow on the control panel until the machine begins to move, then return the handle to the center position.
- ⦿ Result: The machine should move in the direction that the yellow arrow points on the control panel, then come to an abrupt stop.

Note: The brakes must be able to hold the machine on any slope it is able to climb.

**Test the Tilt Sensor Operation**

Note: Perform this test from the ground with the platform controller. Do not stand in the platform.

- 30 Fully lower the platform.
- 31 Place a 2x4 or similar piece of wood under both wheels on one side and drive the machine up onto them.
- 32 Raise the platform approximately 7 feet / 2.1 m from the ground.
- ⦿ Result: The platform should stop elevating and the tilt alarm will sound at 600 beeps per minute.
- 33 Move the drive control handle in the direction indicated by the blue arrow, then move the drive control handle in the direction indicated by the yellow arrow.
- ⦿ Result: The drive function should not work in either direction.
- 34 Lower the platform and remove both pieces of wood.

## FUNCTION TESTS

**Test Limited Drive Speed**

- 35 Press the lift function select button.
- 36 Press and hold the function enable switch.  
Raise the platform approximately 4 feet /  
1.2 m from the ground.
- ⦿ Result: The pothole guards should deploy.
- 37 Press the drive function select switch.
- 38 Press and hold the function enable switch.  
Slowly move the control handle to the full drive  
position.
- ⦿ Result: The maximum achievable drive speed  
with the platform raised should not exceed 0.7  
feet per second / 20 cm/s.

If the drive speed with the platform raised exceeds  
0.7 feet per second / 20 cm/s, immediately tag and  
remove the machine from service.

**Test the Pothole Guards**

Note: The pothole guards should automatically  
deploy when the platform is raised. The pothole  
guards activate another limit switch which allows  
the machine to continue to function. If the pothole  
guards do not deploy, an alarm sounds and the  
machine will not drive.

- 39 Raise the platform.
- ⦿ Result: When the platform is raised 4 feet /  
1.2 m from the ground, the pothole guards  
should deploy.
- 40 Press on the pothole guards on one side, and  
then the other.
- ⦿ Result: The pothole guards should not move.
- 41 Lower the platform.
- ⦿ Result: The pothole guards should return to the  
stowed position.
- 42 Place a 2x4 or similar piece of wood under a  
pothole guard. Raise the platform.
- ⦿ Result: Before the platform is raised 7 feet /  
2.1 m from the ground, an alarm should sound  
and the drive function should not work.
- 43 Lower the platform and remove the 2x4.

# Workplace Inspection



## Do Not Operate Unless:

- You learn and practice the principles of safe machine operation contained in this operator's manual.

- 1 Avoid hazardous situations.
- 2 Always perform a pre-operation inspection.
- 3 Always perform function tests prior to use.

### 4 Inspect the workplace.

**Know and understand the workplace inspection before going on to the next section.**

- 5 Only use the machine as it was intended.

## Fundamentals

The workplace inspection helps the operator determine if the workplace is suitable for safe machine operation. It should be performed by the operator prior to moving the machine to the workplace.

It is the operator's responsibility to read and remember the workplace hazards, then watch for and avoid them while moving, setting up and operating the machine.

## Workplace Inspection

Be aware of and avoid the following hazardous situations:

- drop-offs or holes
- bumps, floor obstructions or debris
- sloped surfaces
- unstable or slippery surfaces
- overhead obstructions and high voltage conductors
- hazardous locations
- inadequate surface support to withstand all load forces imposed by the machine
- wind and weather conditions
- the presence of unauthorized personnel
- other possible unsafe conditions

---

# Operating Instructions



---

## Do Not Operate Unless:

- You learn and practice the principles of safe machine operation contained in this operator's manual.
  - 1 Avoid hazardous situations.
  - 2 Always perform a pre-operation inspection.
  - 3 Always perform function tests prior to use.
  - 4 Inspect the workplace.
  - 5 Only use the machine as it was intended.**

## Fundamentals

The Operating Instructions section provides instructions for each aspect of machine operation. It is the operator's responsibility to follow all the safety rules and instructions in the operator's, safety and responsibilities manuals.

Using the machine for anything other than lifting personnel, along with their tools and materials, to an aerial work site is unsafe and dangerous.

Only trained and authorized personnel should be permitted to operate a machine. If more than one operator is expected to use a machine at different times in the same work shift, they must all be qualified operators and are all expected to follow all safety rules and instructions in the operator's, safety and responsibilities manuals. That means every new operator should perform a pre-operation inspection, function tests, and a workplace inspection before using the machine.



## OPERATING INSTRUCTIONS

## Emergency Stop

Push in the red Emergency Stop button to the off position at the ground controls or the platform controls to stop all functions.

Repair any function that operates when either Emergency Stop button is pushed in.

## Auxiliary Lowering

- 1 Pull the auxiliary lowering knob.

## Operation From Ground

- 1 Turn the key switch to ground control.
- 2 Pull out both ground and platform red Emergency Stop buttons to the on position.
- 3 Be sure the battery pack is connected before operating the machine.

### To Position Platform

- 1 Move the up/down toggle switch according to the markings on the control panel.

Drive and steer functions are not available from the ground controls.

## Operation From Platform

- 1 Turn the key switch to platform control.
- 2 Pull out the ground and platform red Emergency Stop buttons to the on position.
- 3 Be sure the battery pack is connected before operating the machine.

### To Position Platform

- 1 Press the lift function select button.
- 2 Press and hold the function enable switch on the control handle.
- 3 Move the control handle according to the markings on the control panel.



### To Steer

- 1 Press the drive function select button.
- 2 Press and hold the function enable switch on the control handle.
- 3 Turn the steer wheels with the thumb rocker switch located on the top of the control handle.



### To Drive

- 1 Press the drive function select button.
- 2 Press and hold the function enable switch on the control handle.
- 3 Increase speed: Slowly move the control handle off center.

Decrease speed: Slowly move the control handle toward center.

Stop: Return the control handle to center or release the function enable switch.

Use the color-coded direction arrows on the platform controls and on the platform to identify the direction the machine will travel.

Machine travel speed is restricted when the platform is raised.

Battery condition will affect machine performance. Machine drive speed and function speed will drop when the battery level indicator is flashing.

OPERATING INSTRUCTIONS

**To reduce drive speed**

The drive controls can operate in two different drive speed modes. When the drive speed button light is on, slow drive speed mode is active. When the button light is off, fast drive speed mode is active.



Press the drive speed button to select the desired drive speed.

**Driving on a slope**

Determine the slope and side slope ratings for the machine and determine the slope grade.



**GS-1530 and GS-1532**

**Maximum slope rating, stowed**  
ANSI / CSA / AUS 30% (17°)



**Maximum side slope rating, stowed**  
ANSI / CSA / AUS 30% (17°)



**GS-1930 and GS-1932**  
**Maximum slope rating, stowed**  
ANSI / CSA 30% (17°)  
AUS 25% (14°)



**Maximum side slope rating, stowed**  
ANSI / CSA 30% (17°)  
AUS 25% (14°)

Note: Slope rating is subject to ground conditions and adequate traction.

Press the drive speed button to the fast drive speed mode.

**To determine the slope grade:**

Measure the slope with a digital inclinometer OR use the following procedure.

You will need:

- carpenter's level
- straight piece of wood, at least 3 feet / 1 m long
- tape measure

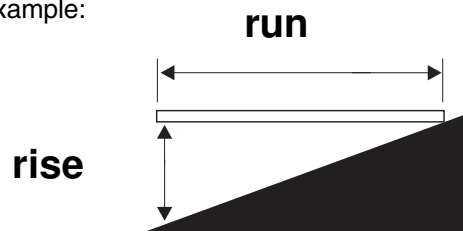
Lay the piece of wood on the slope.

At the downhill end, lay the level on the top edge of the piece of wood and lift the end until the piece of wood is level.

While holding the piece of wood level, measure the distance from the bottom of the piece of wood to the ground.

Divide the tape measure distance (rise) by the length of the piece of wood (run) and multiply by 100.

Example:



Run = 12 ft (144 in) / 3.6 m

Rise = 12 in/ 0.3 m

12 in ÷ 144 in = 0.083 x 100 = 8.3%  
0.3 m ÷ 3.6 m = 0.083 x 100 = 8.3%

If the slope exceeds the maximum slope or side slope rating, the machine must be winched or transported up or down the slope. See Transport and Lifting section.

## OPERATING INSTRUCTIONS

**Error indicator readout**

If the LED diagnostic readout displays an error code, such as LL, push in and pull out the red Emergency Stop button to reset the system.

**To Extend and Retract Platform**

- 1 Step on the platform extension release pedal on the platform toeboard.
- 2 Grasp the platform guard rails carefully and push to extend the platform to the mid-position stop.
- 3 Step on the release pedal again and push to fully extend the platform.

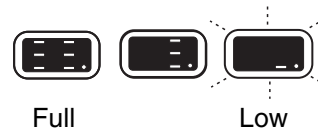
Do not stand on the platform extension while trying to extend it.

- 4 Step on the platform extension release pedal and pull to retract the platform to the mid-position stop. Step again to fully retract the platform.

**Operation From Ground with Controller**

Maintain safe distances between the operator, machine and fixed objects.

Be aware of the direction the machine will travel when using the controller.

**Battery Level Indicator**

Use the LED diagnostic readout to determine the battery level.

**Fall Protection**

Personal fall protection equipment (PFPE) is not required when operating this machine. If PFPE is required by job site or employer rules, the following shall apply:

All PFPE must comply with applicable governmental regulations and must be inspected and used in accordance with the manufacturer's instructions.

**After Each Use**

- 1 Select a safe parking location—firm level surface, clear of obstruction and traffic.
- 2 Lower the platform.
- 3 Turn the key switch to the off position and remove the key to secure from unauthorized use.
- 4 Chock the wheels.
- 5 Charge the batteries.

**How to use the Safety Arm**

- 1 Raise the platform approximately 2.4 m from the ground.
- 2 Rotate the safety arm away from the machine and let it hang down.
- 3 Lower the platform until the safety arm rests securely on the link. Keep clear of the safety arm when lowering the platform.

## OPERATING INSTRUCTIONS



## Battery and Charger Instructions

### Observe and Obey:

- Do not use an external charger or booster battery.
- Charge the battery in a well-ventilated area.
- Use proper AC input voltage for charging as indicated on the charger.
- Use only a Genie authorized battery and charger.

### To Charge Battery

- 1 Be sure the batteries are connected before charging the batteries.
- 2 Open the battery compartment. The compartment should remain open for the entire charging cycle.

#### Maintenance - free batteries

- 3 Connect the battery charger to a grounded AC circuit.
- 4 The charger will indicate when the battery is fully charged.

#### Standard Batteries

- 3 Remove the battery vent caps and check the battery acid level. If necessary, add only enough distilled water to cover the plates. Do not overfill prior to the charge cycle.
- 4 Replace the battery vent caps.
- 5 Connect the battery charger to a grounded AC circuit.
- 6 The charger will indicate when the battery is fully charged.
- 7 Check the battery acid level when the charging cycle is complete. Replenish with distilled water to the bottom of the fill tube. Do not overfill.

### Dry Battery Filling and Charging Instructions

- 1 Remove the battery vent caps and permanently remove the plastic seal from the battery vent openings.
- 2 Fill each cell with battery acid (electrolyte) until the level is sufficient to cover the plates.

Do not fill to maximum level until the battery charge cycle is complete. Overfilling can cause the battery acid to overflow during charging. Neutralize battery acid spills with baking soda and water.

- 3 Install the battery vent caps.
- 4 Charge the battery.
- 5 Check the battery acid level when the charging cycle is complete. Replenish with distilled water to the bottom of the fill tube. Do not overfill.

# Transport and Lifting Instructions



## Observe and Obey:

- ☑ Common sense and planning must be applied to control the movement of the machine when lifting it with a crane or forklift.
- ☑ The transport vehicle must be parked on a level surface.
- ☑ The transport vehicle must be secured to prevent rolling while the machine is being loaded.
- ☑ Be sure the vehicle capacity, loading surfaces and chains or straps are sufficient to withstand the machine weight. See the serial plate for the machine weight.
- ☑ The machine must be on a level surface or secured before releasing the brakes.
- ☑ Do not drive the machine on a slope that exceeds the slope or side slope rating. See Driving on a Slope in the Operating Instructions section.
- ☑ If the slope of the transport vehicle bed exceeds the maximum slope rating, the machine must be loaded and unloaded using a winch as described.

## Brake Release Operation



- 1 Chock the wheels to prevent the machine from rolling.
- 2 Be sure the winch line is properly secured to the drive chassis tie points and the path is clear of all obstructions.
- 3 Push in the black brake release knob to open the brake valve.
- 4 Pump the red brake release pump knob.

After the machine is loaded:

- 1 Chock the wheels to prevent the machine from rolling.
- 2 Press the drive function select button. Press and hold the function enable switch on the control handle. Move the control handle off center to reset the brakes.

Towing the Genie GS-1530, the GS-1930, the GS-1532 and the GS-1932 is not recommended. If the machine must be towed, do not exceed 2 mph / 3.2 km/h.

TRANSPORT AND LIFTING INSTRUCTIONS



**Observe and Obey:**

- Only qualified riggers should rig and lift the machine.
- Be sure the crane capacity, loading surfaces and straps or lines are sufficient to withstand the machine weight. See serial plate.

Center of gravity	X Axis	Y Axis
<b>GS-1530</b>	25.7 in 65.3 cm	21.1 in 59.6 cm
<b>GS-1532</b>	19.6 in 49.8 cm	18.6 in 47.2 cm
<b>GS-1930</b>	25.5 in 64.8 cm	22.1 in 56.1 cm
<b>GS-1932</b>	20.0 in 50.8 cm	19.5 in 49.5 cm

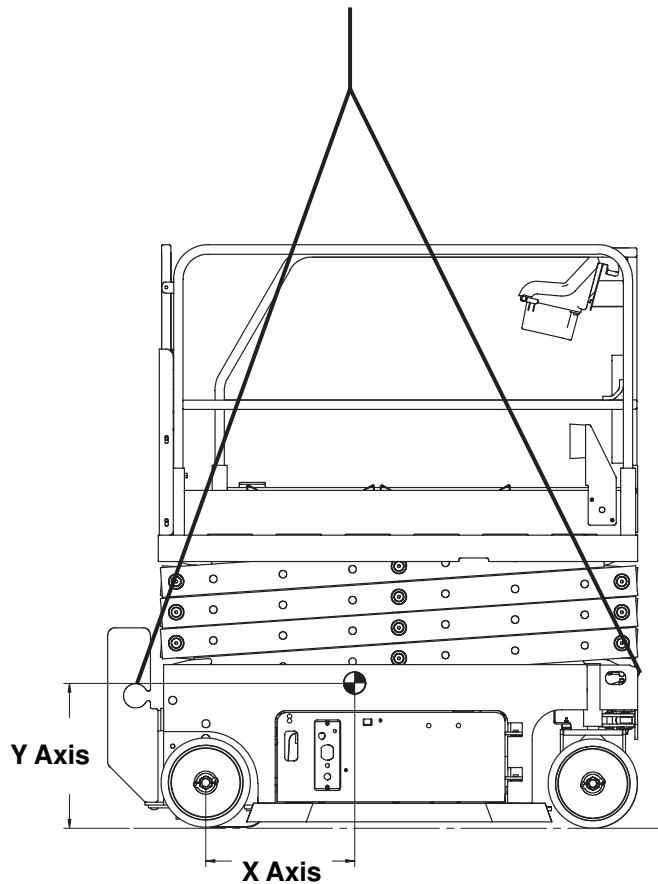
**Lifting Instructions**

Fully lower the platform. Be sure the extension deck, controls and component trays are secure. Remove all loose items on the machine.

Determine the center of gravity of your machine using the table and the picture on this page.

Attach the rigging only to the designated lifting points on the machine. There are two 1 inch / 2.5 cm holes on the front of the machine and two holes in the ladder for lifting.

Adjust the rigging to prevent damage to the machine and to keep the machine level.



## TRANSPORT AND LIFTING INSTRUCTIONS

## Securing to Truck or Trailer for Transit

Always use the extension deck lock when the machine is transported.

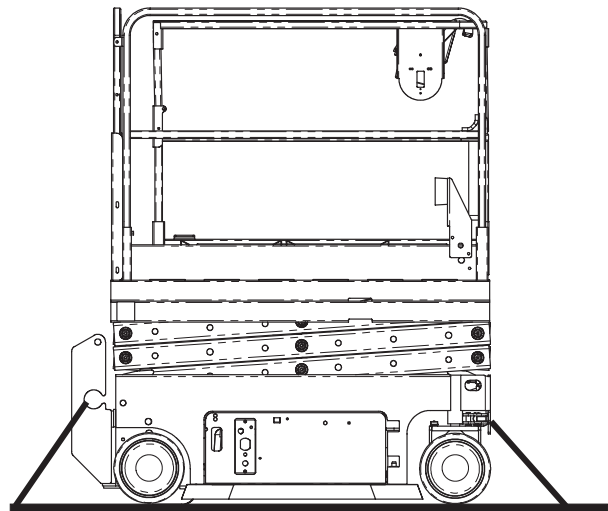
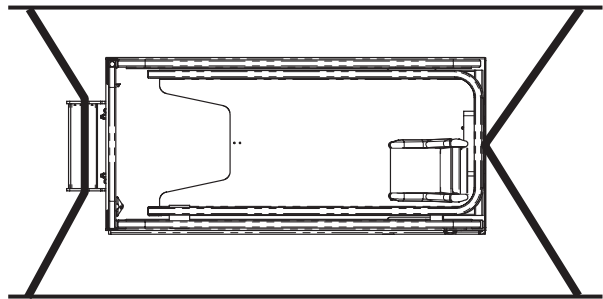
Turn the key switch to the off position and remove the key before transporting.

Inspect the entire machine for loose or unsecured items.

Use chains or straps of ample load capacity.

Use a minimum of 2 chains or straps.

Adjust the rigging to prevent damage to the chains.



# Decals

## Inspection for Decals with Words

Determine whether the decals on your machine have words or symbols. Use the appropriate inspection to verify that all decals are legible and in place.

Part No.	Description	Quantity
28164	Notice - Hazardous Materials	1
28171	Label - No Smoking	1
28174	Label - Power to Platform, 230V	2
28175	Caution - Compartment Access	1
28176	Notice - Missing Manuals	1
28235	Label - Power to Platform, 115V	2
28236	Warning - Failure To Read . . .	1
31060	Danger - Do Not Alter Limit Switch	1
31508	Notice - Power to Battery Charger	1
40434	Label - Lanyard Anchorage	3
43089	Notice - Operating Instructions, Ground	1
43093	Notice - Tire Specification	4
43617	Danger - Tip-over (batteries)	1
43618	Label - Directional Arrows	2
43619	Label - Safety Arm	1
43658	Label - Power to Charger, 230V	1
43696	Danger - Electrocution Hazard	2
44255	Danger - Crushing Hazard	4
44736	Danger - Tilt Alarm	1
44737	Danger - Tip-over, Trays Open	2
44753	Label - LED Diagnostic Readout	1
44980	Label - Power to Charger, 115V	1
44981	Label - Air to Platform, 110 PSI	2
46262	Danger - Battery/Charger Safety	1
52475	Label - Transport Tie-down	5
65052	Label - ECM Fault Codes	1
62053	Cosmetic - Genie GS-1530	2
62054	Cosmetic - Genie GS-1930	2
72143	Label - Emergency Stop	1
72853	Danger - Improper Use Hazard	1

Part No.	Description	Quantity
72970	Notice - Battery Charger Operating Instructions	1
82287	Cosmetic - Genie GS-1932	2
82366	Label - Chevron Rykon	1
82447	Label - Auxiliary Lowering	1
82485	Label - Wheel Load, GS-1530	4
82486	Label - Wheel Load, GS-1930	4
82559	Notice - Annual Inspection	1
82558	Warning - Skin Injection Hazard	1
82557	Label - Platform Controls Location	1
82561	Danger - Crushing Hazard	2
82563	Notice - Max Cap 500 lbs / 227 kg*	1
82564	Notice - Max Cap 600 lbs / 272 kg*	1
82565	Notice - Side Force, 100 lbs / 445 N, ANSI & CSA	1
82566	Notice - Manual Force, 200 / 400 N Australia	1
82567	Ground Control Panel	1
82568	Cosmetic - Genie GS-1532	2
82570	Label - Wheel Load, GS-1532	4
82571	Label - Wheel Load, GS-1932	4
82657	Notice - Battery Connection Diagram	1
97618	Notice - Manual Force, 400 N, Indoor Use Only, Australia	1
97712	Danger/Notice - Brake Release Safety & Operating Instructions	1
97772	Platform Control Panel	1
1000041	Notice - Operating Instructions, Platform	1
1000042	Danger - General Safety Rules	1

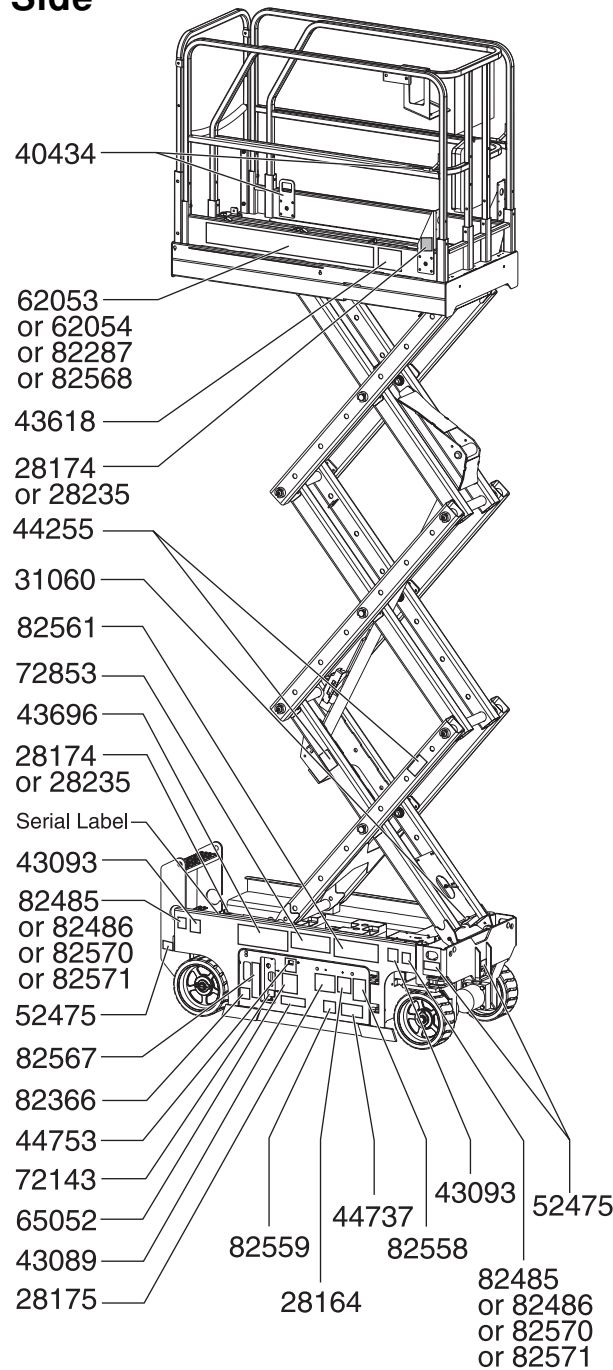
\*Please reference the chart on page 2 to determine the capacity of your machine.



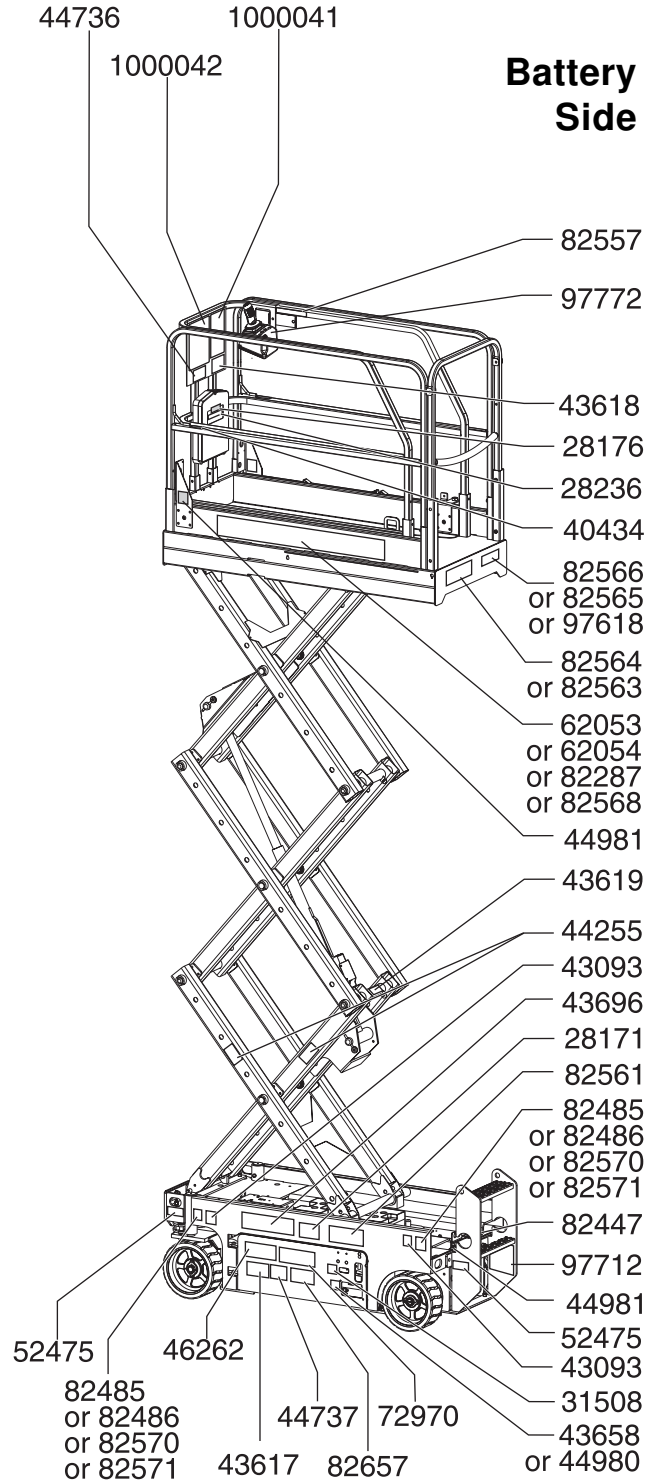


DECALS

**Ground Controls Side**



**Battery Side**



## DECALS

## Inspection for Decals with Symbols

Determine whether the decals on your machine have words or symbols. Use the appropriate inspection to verify that all decals are legible and in place.

Part No.	Description	Quantity
28174	Label - Power to Platform, 230V	2
28235	Label - Power to Platform, 115V	2
40434	Label - Lanyard Anchorage	3
43618	Label - Directional Arrows	2
43658	Label - Power to Charger, 230V	1
44980	Label - Power to Charger, 115V	1
44981	Label - Air to Platform, 110 PSI	2
52475	Label - Transport Tie-down	5
62053	Cosmetic - Genie GS-1530	2
62054	Cosmetic - Genie GS-1930	2
72143	Label - Emergency Stop	1
82472	Warning - Crushing Hazard	1
82474	Warning - Safety Chock	2
82476	Danger - Electrocutation Hazard	2
82481	Danger - Battery/Charger Safety	1

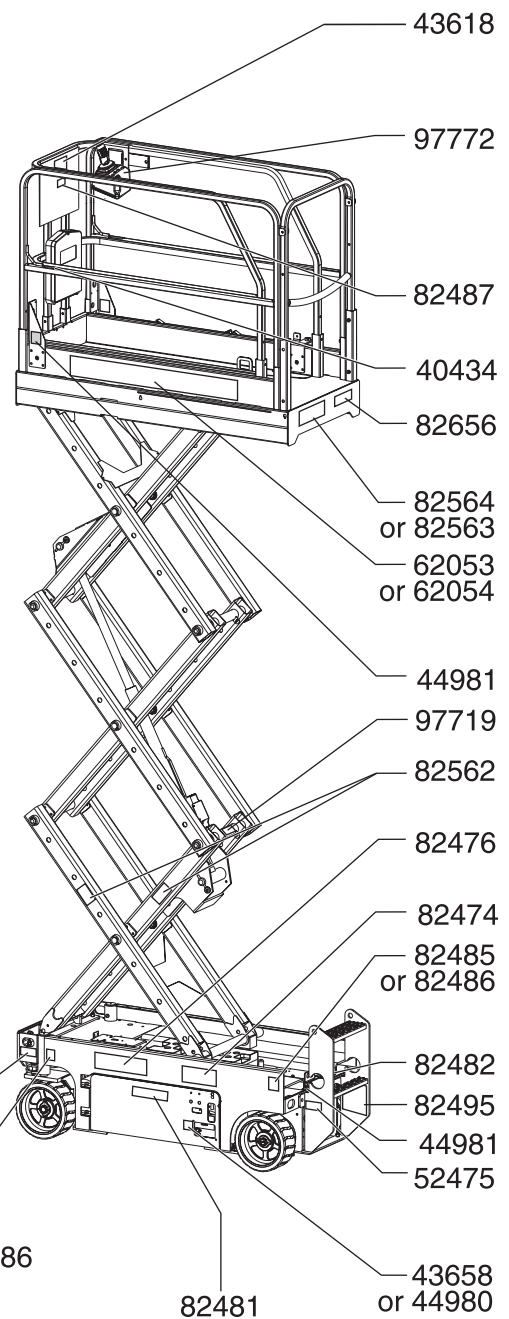
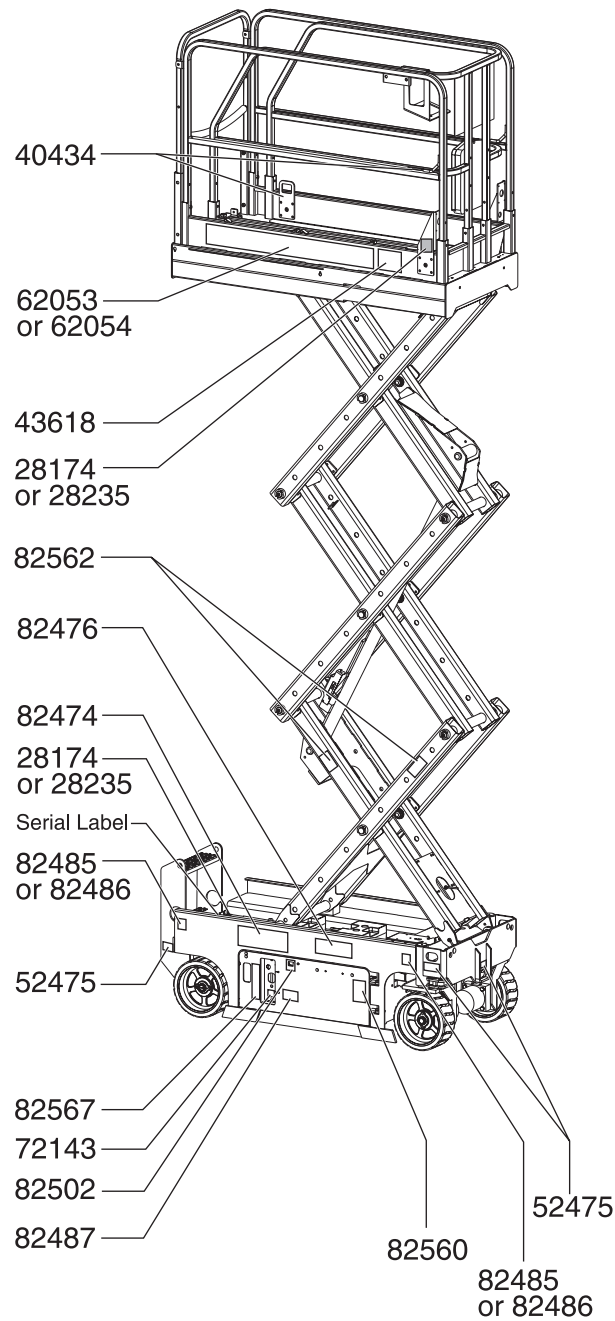
Part No.	Description	Quantity
82482	Label - Auxiliary Lowering	1
82485	Label - Wheel Load, GS-1530	4
82486	Label - Wheel Load, GS-1930	4
82487	Notice - Operating Instructions	2
82495	Danger - Brake Release Safety & Operating Instructions	1
82496	Danger - Max Cap 500 lbs / 227 kg*	1
82501	Danger - Max Cap 600 lbs / 272 kg*	1
82502	Label - LED Diagnostic Readout	1
82560	Warning - Skin Injection Hazard	1
82562	Danger - Crushing Hazard	4
82567	Ground Control Panel	1
82656	Danger - Manual Force, 445 N	1
97719	Label - Safety Arm	1
97772	Platform Control Panel	1

\*Please reference the chart on page 2 to determine the capacity of your machine.

DECALS

**Ground  
Controls  
Side**

**Battery  
Side**



# Specifications

Model	GS-1530	
Height, working maximum	21 ft	6.4 m
Height, platform maximum	15 ft	4.6 m
Height, stowed maximum Rails up	77 in	1.96 m
Height, stowed maximum Rails lowered	76 in	1.92 m
Height, stowed maximum Rails off	38.2 in	97 cm
Height, guard rails	39 in	99.1 cm
Width	30 in	76.2 cm
Length, stowed	72 in	1.82 m
Length, platform extended	108 in	2.73 m
Maximum load capacity	600 lbs	272 kg
Maximum wind speed	28 mph	12.5 m/s
Wheelbase	52 in	1.32 m
Turning radius (outside)	61 in	1.55 m
Turning radius (inside)	0 in	0 cm
Ground clearance	2.4 in	6.1 cm
Ground clearance Pothole guards deployed	0.8 in	1.9 cm
Weight (Machine weights vary with option configurations)	See Serial Label	
Power source	4 Batteries, 6V 225AH	
System voltage	24V	
Controls	Proportional	
Platform dimensions, (length x width)	64.4 x 29.3 in	1.6 m x 74 cm
Platform extension length	35.6 in	90.4 cm
AC outlet in platform	standard	

Maximum hydraulic pressure (functions)	3500 psi	241 bar
--	----------	---------

Tires size	12 x 4.5 x 8 in	
------------	-----------------	--

Airborne noise emissions	<70 dB	
Maximum sound level at normal operating workstations (A-weighted)		

<b>Maximum slope rating, stowed position</b>	30% (17°)	
--	-----------	--

<b>Maximum side slope rating, stowed position</b>	30% (17°)	
---	-----------	--

Note: Slope rating is subject to ground conditions and adequate traction.

### Drive speeds

Stowed, maximum	2.5 mph	4.0 km/h
-----------------	---------	----------

Platform raised, maximum	0.5 mph	0.8 km/h
	40 ft/55 sec	12.5 m/55 sec

### Floor loading information

Tire load, maximum		
ANSI/CSA	1175 lbs	533 kg
AUS	1206 lbs	547 kg

Tire contact pressure		
ANSI/CSA	131 psi	9.19 kg/cm <sup>2</sup> 900 kPa
AUS	133 psi	9.40 kg/cm <sup>2</sup> 921 kPa

Occupied floor pressure		
ANSI/CSA	238 psf	1162 kg/m <sup>2</sup> 11.40 kPa
AUS	249 psf	1216 kg/m <sup>2</sup> 11.92 kPa

Note: Floor loading information is approximate and does not incorporate different option configurations. It should be used only with adequate safety factors.

Continuous improvement of our products is a Genie policy. Product specifications are subject to change without notice or obligation.



## SPECIFICATIONS

Model	GS-1930	
Height, working maximum	25 ft	7.6 m
Height, platform maximum	19 ft	5.8 m
Height, stowed maximum Rails up	79 in	1.99 m
Height, stowed maximum Rails lowered	77 in	1.95 m
Height, stowed maximum Rails off	39.5 in	1.0 m
Height, guard rails	39 in	99.1 cm
Width	30 in	76.2 cm
Length, stowed	72 in	1.82 m
Length, platform extended	108 in	2.73 m
Maximum load capacity	500 lbs	227 kg
Maximum wind speed	28 mph	12.5 m/s
Wheelbase	52 in	1.32 m
Turning radius (outside)	61 in	1.55 m
Turning radius (inside)	0 in	0 cm
Ground clearance	2.4 in	6.1 cm
Ground clearance Pothole guards deployed	0.8 in	1.9 cm
Weight (Machine weights vary with option configurations)	See Serial Label	
Power source	4 Batteries, 6V 225AH	
System voltage	24V	
Controls	Proportional	
Platform dimensions, (length x width)	64.4 x 29.3 in	1.6 m x 74 cm
Platform extension length	35.6 in	90.4 cm
AC outlet in platform	standard	

Maximum hydraulic pressure (functions)	3500 psi	241 bar
--	----------	---------

Tires size	12 x 4.5 x 8 in	
------------	-----------------	--

Airborne noise emissions	<70 dB	
Maximum sound level at normal operating workstations (A-weighted)		

**Maximum slope rating, stowed position**

ANSI/CSA	30% (17°)	
AUS	25% (14°)	

**Maximum side slope rating, stowed position**

ANSI/CSA	30% (17°)	
AUS	25% (14°)	

Note: Slope rating is subject to ground conditions and adequate traction.

**Drive speeds**

Stowed, maximum	2.5 mph	4.0 km/h
-----------------	---------	----------

Platform raised, maximum	0.5 mph	0.8 km/h
	40 ft/55 sec	12.5 m/55 sec

**Floor loading information**

Tire load, maximum		
ANSI/CSA	1302 lbs	591 kg
AUS	1323 lbs	600 kg

Tire contact pressure		
ANSI/CSA	145 psi	10.18 kg/cm <sup>2</sup> 998 kPa
AUS	147 psi	10.35 kg/cm <sup>2</sup> 1014 kPa

Occupied floor pressure		
ANSI/CSA	240 psf	1172 kg/m <sup>2</sup> 11.50 kPa
AUS	285 psf	1391 kg/m <sup>2</sup> 13.65 kPa

Note: Floor loading information is approximate and does not incorporate different option configurations. It should be used only with adequate safety factors.

Continuous improvement of our products is a Genie policy. Product specifications are subject to change without notice or obligation.



## SPECIFICATIONS

<b>Model</b>	<b>GS-1532</b>	
Height, working maximum	21 ft	6.4 m
Height, platform maximum	15 ft	4.6 m
Height, stowed maximum Rails up	79.5 in	2.02 m
Height, stowed maximum Rails folded	68 in	1.73 m
Height, stowed maximum Rails off	38.2 in	97 cm
Height, guard rails	43.1 in	1.1 m
Width	32 in	81.3 cm
Length, stowed	71.5 in	1.82 m
Length, platform extended	107.5 in	2.73 m
Maximum load capacity	600 lbs	272 kg
Maximum wind speed	28 mph	12.5 m/s
Wheelbase	52 in	1.32 m
Turning radius (outside)	61 in	1.55 m
Turning radius (inside)	0 in	0 cm
Ground clearance	2.4 in	6.1 cm
Ground clearance Pothole guards deployed	0.8 in	1.9 cm
Weight (Machine weights vary with option configurations)	See Serial Label	
Power source	4 Batteries, 6V 225AH	
System voltage	24V	
Controls	Proportional	

Platform dimensions, (length x width)	64.4 x 29.3 in 1.6 m x 74 cm	
Platform extension length	35.6 in	90.4 cm
AC outlet in platform	standard	
Maximum hydraulic pressure (functions)	3500 psi	241 bar
Tires size	12 x 4.5 x 8 in	
Airborne noise emissions Maximum sound level at normal operating workstations (A-weighted)	<70 dB	
<b>Maximum slope rating, stowed position</b>	30% (17°)	
<b>Maximum side slope rating, stowed position</b>	30% (17°)	

Note: Slope rating is subject to ground conditions and adequate traction.

**Drive speeds**

Stowed, maximum	2.5 mph	4.0 km/h
Platform raised, maximum	0.5 mph 40 ft/55 sec	0.8 km/h 12.5 m/55 sec

**Floor loading information**

Tire load, maximum	1206 lbs	547 kg
Tire contact pressure	134 psi	9.43 kg/cm <sup>2</sup> 924 kPA
Occupied floor pressure	234 psf	1142 kg/m <sup>2</sup> 11.20 kPA

Note: Floor loading information is approximate and does not incorporate different option configurations. It should be used only with adequate safety factors.

Continuous improvement of our products is a Genie policy. Product specifications are subject to change without notice or obligation.



## SPECIFICATIONS

<b>Model</b>	<b>GS-1932</b>	
Height, working maximum	25 ft	7.6 m
Height, platform maximum	19 ft	5.8 m
Height, stowed maximum Rails up	83 in	2.11 m
Height, stowed maximum Rails folded	69.3 in	1.76 m
Height, stowed maximum Rails off	39.5 in	1.0 m
Height, guard rails	39 in	99.1 cm
Width	32 in	81.3 cm
Length, stowed	71.5 in	1.82 m
Length, platform extended	107.5 in	2.73 m
Maximum load capacity	500 lbs	227 kg
Maximum wind speed	28 mph	12.5 m/s
Wheelbase	52 in	1.32 m
Turning radius (outside)	61 in	1.55 m
Turning radius (inside)	0 in	0 cm
Ground clearance	2.4 in	6.1 cm
Ground clearance Pothole guards deployed	0.8 in	1.9 cm
Weight (Machine weights vary with option configurations)	See Serial Label	
Power source	4 Batteries, 6V 225AH	
System voltage	24V	
Controls	Proportional	

Platform dimensions, (length x width)	64.4 x 29.3 in 1.6 m x 74 cm	
Platform extension length	35.6 in	90.4 cm
AC outlet in platform	standard	
Maximum hydraulic pressure (functions)	3500 psi	241 bar
Tires size	12 x 4.5 x 8 in	
Airborne noise emissions Maximum sound level at normal operating workstations (A-weighted)	<70 dB	

**Maximum slope rating,  
stowed position** 25% (14°)

**Maximum side slope rating,  
stowed position** 25% (14°)

Note: Slope rating is subject to ground conditions and adequate traction.

**Drive speeds**

Stowed, maximum	2.5 mph	4.0 km/h
Platform raised, maximum	0.5 mph 40 ft/55 sec	0.8 km/h 12.5 m/55 sec

**Floor loading information**

Tire load, maximum	1323 lbs	600 kg
Tire contact pressure	147 psi	10.35 kg/cm <sup>2</sup> 1014 kPa
Occupied floor pressure	269 psf	1313 kg/m <sup>2</sup> 12.88 kPa

Note: Floor loading information is approximate and does not incorporate different option configurations. It should be used only with adequate safety factors.

Continuous improvement of our products is a Genie policy. Product specifications are subject to change without notice or obligation.



<p><b>Genie Scandinavia</b>  <b>Phone</b> +46 31 575100  <b>Fax</b> +46 31 579020</p>
<p><b>Genie France</b>  <b>Phone</b> +33 (0)2 37 26 09 99  <b>Fax</b> +33 (0)2 37 26 09 98</p>
<p><b>Genie Iberica</b>  <b>Phone</b> +34 93 579 5042  <b>Fax</b> +34 93 579 5059</p>
<p><b>Genie Germany</b>  <b>Phone</b> +49 (0)4202 88520  <b>Fax</b> +49 (0)4202 8852-20</p>
<p><b>Genie U.K.</b>  <b>Phone</b> +44 (0)1476 584333  <b>Fax</b> +44 (0)1476 584334</p>
<p><b>Genie Mexico City</b>  <b>Phone</b> +52 55 5666 5242  <b>Fax</b> +52 55 5666 3241</p>

**Genie North America**  
**Phone** 425.881.1800  
**Toll Free** USA and Canada  
800.536.1800  
**Fax** 425.883.3475

**Genie Australia Pty Ltd.**  
**Phone** +61 7 3375 1660  
**Fax** +61 7 3375 1002

**Genie China**  
**Phone** +86 21 53852570  
**Fax** +86 21 53852569

**Genie Malaysia**  
**Phone** +65 98 480 775  
**Fax** +65 67 533 544

**Genie Japan**  
**Phone** +81 3 3453 6082  
**Fax** +81 3 3453 6083

**Genie Korea**  
**Phone** +82 25 587 267  
**Fax** +82 25 583 910

**Genie Brasil**  
**Phone** +55 11 41 665 755  
**Fax** +55 11 41 665 754

**Genie Holland**  
**Phone** +31 183 581 102  
**Fax** +31 183 581 566

Distributed By: