

# ET20

## Tracked Conventional Tail Excavators



**WACKER  
NEUSON**  
*all it takes!*



### Big performance in a compact package

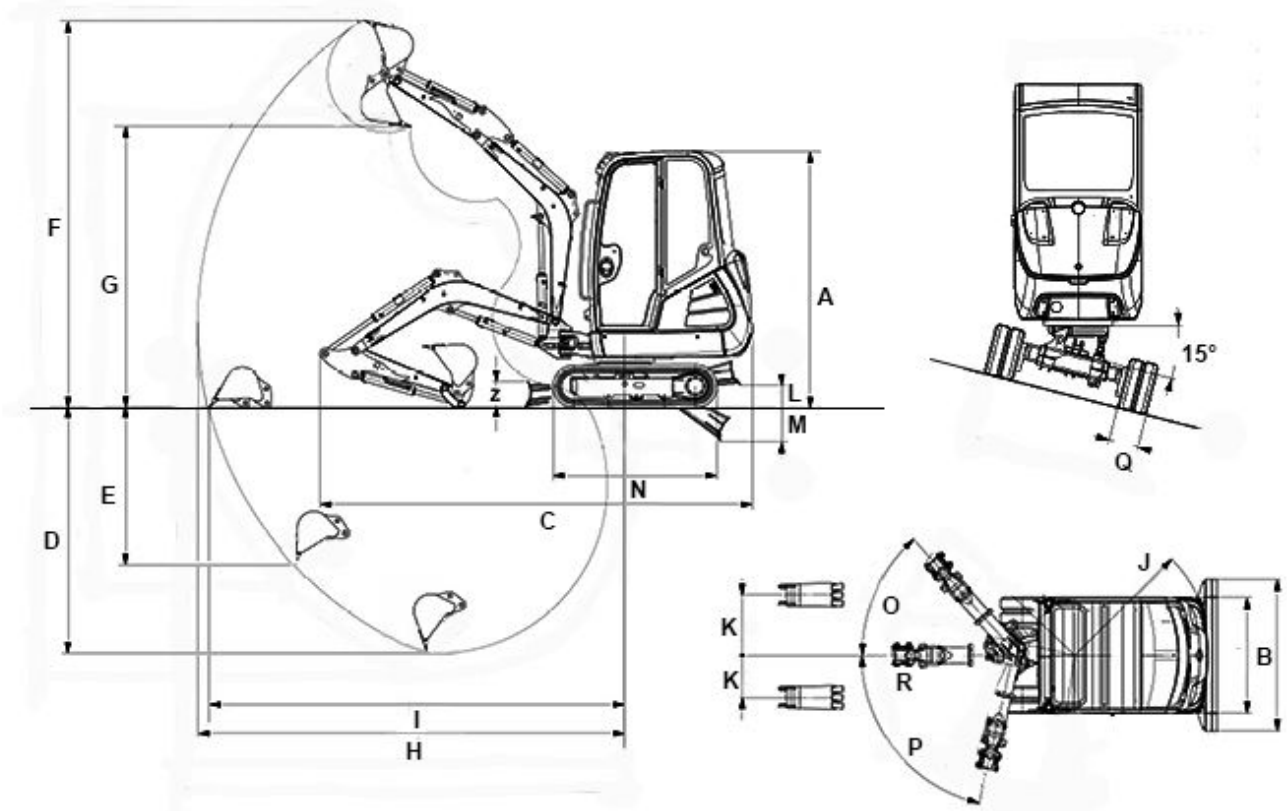
The 2-tonne, ET20 excavator offers excellent performance and comfort in a compact package. The ET is a productive and versatile digging machine with a maximum digging depth of 8' 10" and a strong breakout force of 4226 lbs. The Tier 4 Final engine delivers 17.2 net hp at 2,200 RPM for powerful digging, fast cycle times and quiet operation. The ET 20 is also designed for comfortable operation with a large operating station, excellent visibility and a unique double-door cab design.

- A telescopic undercarriage can be extended from 39" to 51" for greater lifting power and stability
- Comfortable operator station with unique double-door cab allows operator to enter or exit the machine from either side and provides for excellent visibility.
- Large engine cover and easy removal of side covers provides for easy access and serviceability.
- Pattern control changeover conveniently located inside the operator station.
- Elongated tracks feature four rollers for increased stability, smoother ride and lower ground pressure.

## ET20 Technical specifications

<b>Operating data</b>	
Shipping weight min.	4,105 lb
Operating weight	4,420 - 5,125 lb
Biting force max.	2,810 lbf
Breakout force max. max., nach ISO 6015	4,226 lbf
Digging depth max.	105.6 in
Dumping height	106.8 - 111.7 in
Digging radius max.	170 in
L x W x H	159.4 x 39 x 90.4 in
<b>Engine / Motor</b>	
Engine / Motor manufacturer	Yanmar
Engine / Motor type	3TNV80F
Engine / Motor	Water-cooled 3-cylinder diesel engine
Displacement	77.2 in <sup>3</sup>
RPM / speed	2,200 rpm
Engine performance acc. to ISO	17.2 hp
Battery	44 CCA
Fuel tank capacity	6.3 US gal
<b>Hydraulic system</b>	
Duty pump	Double variable pump with 2 gear pumps
Max. flow rate	6.29 + 6.29 US gpm
Max. flow rate	5.13 + 1.69 US gpm
Operating pressure for working and traction hydraulics	2,901 psi
Operating pressure Slewing gear	2,176 psi
RPM / speed Superstructure	10 rpm
Hydraulic oil tank	5 US gal
<b>Undercarriage</b>	
Travel speed max.	2.5 mph
Chain width	9.8 in
Ground clearance	6.7 in
<b>Dozer Blade</b>	
Width	39 in
Height	8.7 in
Stroke - Above ground	8.7 in
Stroke - Below ground	11.8 in
<b>Sound level</b>	
Sound level (LwA) acc. to 2000/14/EC	93 dB(A)
Cabin - specified sound pressure level LpA acc. to ISO 6394	75.8 dB(A)

## ET20 Dimensions



A	Height	90.4 in
B	Width - Undercarriage retracted	39 in
B	Width - Undercarriage extended	51.2 in
Y	Width - Dozer blade retracted	39 in
Y	Width - Dozer blade extended	51.2 in
C	Transport length	159.4 in
D	Digging depth max. - Standard Dipperstick	97.8 in
D	Digging depth max. - Long Dipperstick	105.6 in
E	Insertion depth - Standard Dipperstick	65.4 in
E	Insertion depth - Long Dipperstick	72.6 in
F	Insertion height - Standard Dipperstick	151 in
F	Insertion height - Long Dipperstick	155.9 in
G	Dump height max. - Standard Dipperstick	106.8 in
G	Dump height max. - Long Dipperstick	111.7 in
K	Digging radius max. - Standard Dipperstick	162.6 in
K	Digging radius max. - Long Dipperstick	170 in
H	Range - Standard Dipperstick	158.7 in
H	Range - Long Dipperstick	166.3 in
R	Rear swivel radius	46 in

M	Arm displacement to centre of bucket, right side	20.3 in
N	Arm displacement to centre of bucket, left side	14.1 in
O	Lift height - Above ground	8.5 in
P	Scraping depth - Below ground	11.7 in
	Scraping depth	14.3 in
S	Length - Track	67.2 in
W	Turning angle - Boom system to the right	48 °
W	Turning angle - Boom system to the left lock	64 °
W	Turning angle - Boom system to the left	77 °
R	Boom slewing radius - Middle	65.6 in
R	Boom slewing radius - Right	62.3 in
R	Boom slewing radius - Left	53.4 in
R	Boom slewing radius - Left Lock	57.1 in
Z	Height - Dozer blade	9.1 in

Please note: that product availability can vary from country to country. It is possible that information / products may not be available in your country. More detailed information on engine power can be found in the operator's manual; the stated power may vary due to specific operating conditions. Subject to alterations and errors excepted. Applicable also to illustrations.  
 Copyright © 2019 Wacker Neuson SE.